

Audi Sport customer racing



MY18 AUDI RS 3 LMS DSG SPARE PARTS CATALOG

CONTACT:

Patriot Race Engineering

**21670 Red Rum Dr. Suite 169
Ashburn, VA. 20147**

Tel: (571) 258-4635

www.patriotraceengineering.com

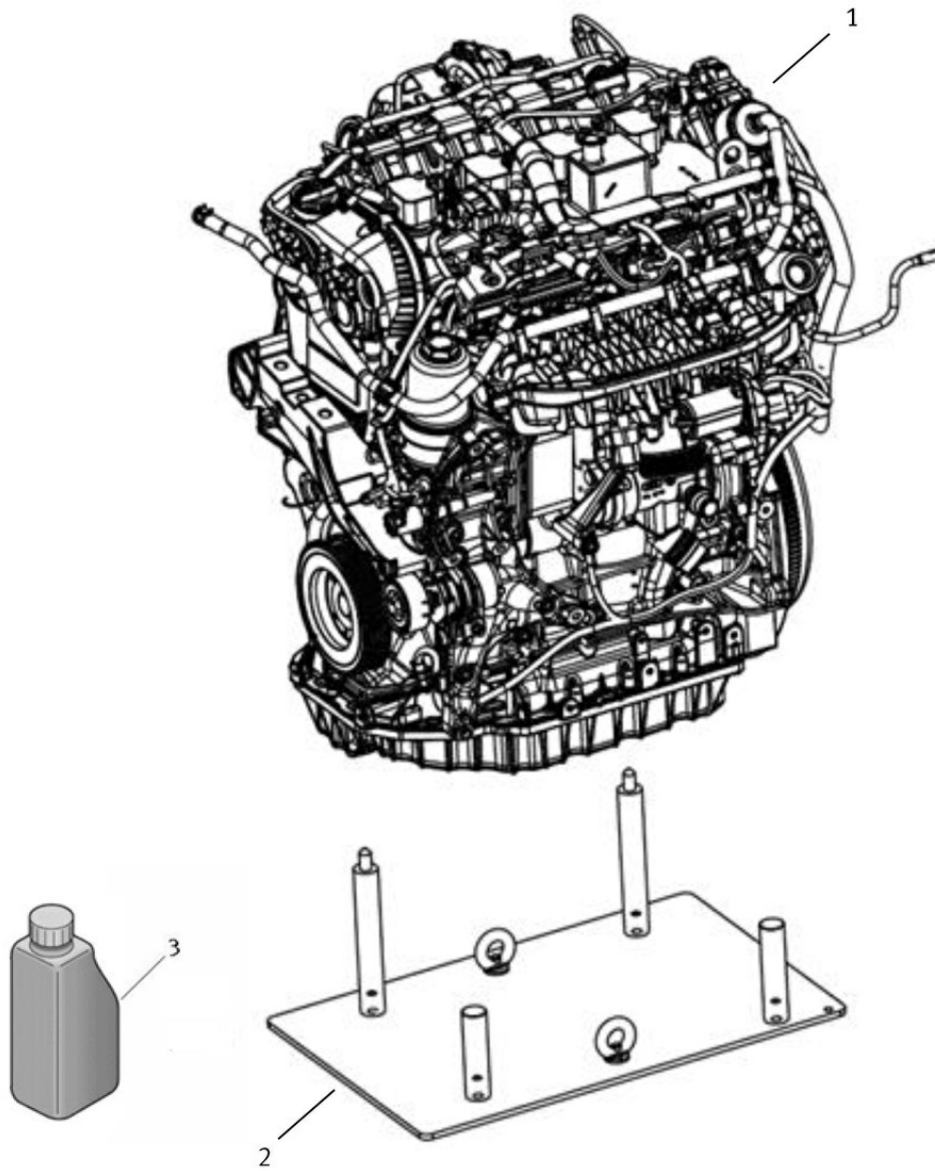
□

UPDATE KIT MY2020

UPDATE KIT MY2020

Pos.	Reference	Description	Qty.
01	8V6854969	Fence L for Fender	1
02	8V6854970	Fence R for Fender	1
03	8V6854969A	Fence L for Bumper	1
04	8V6854970A	Fence R for Bumper	1
05	_7L5018897A	Fixation for fences	12
06	4SA803581	Bracket for fender to sill L	1
07	4SA803582	Bracket for fender to sill R	1
08	8V6129621	Air-intake collector (behind grill)	1
09	8V6810527	Flange on door-panel	4
10	8V6820723	Y-part after fan for defrost/defog (part #9)	1
11	8V6407311	Driveshaft joint - reinforced	2
12	8V6807605	Air-duct - glued to frontbumper	1
13	8V6615393A	Air-duct to upright	1
14	8V6615394A	Air-duct to upright	1
15	8V6821103A	Front left fender MY2020	1
16	8V6821104A	Front right fender MY2020	1
17	8V6857527A	Rear view mirror L	1
18	8V6857528A	Rear view mirror R	1
19	8V6845205A	Plastic window RL	1
20	8V6845206A	Plastic window RR	1
21	8V6845501A	Rear window plastic	1
22	5FR959455	ENGINE FAN	1
23	8V6821989A	Support	1
24	8V6821990A	Support	1
25	8V6915105	Battery SBS 15	1
26	8V6927181	RELAY PWM CONTROL	1
27	8V6971805	COOLING FAN WIRING LOOM	1

ENGINE SUPPORT



ENGINE SUPPORT

Pos.	Reference	Description	Qty.
01	5F6100011	ENGINE	1
02	ULH3100001A	ENGINE SUPPORT ASSY	1
03	V31748026	ENGINE OIL RAVENOL VMP SAE 5W-30 PLEASE, CONTACT YOUR LOCAL RAVENOL DISTRIBUTOR	1

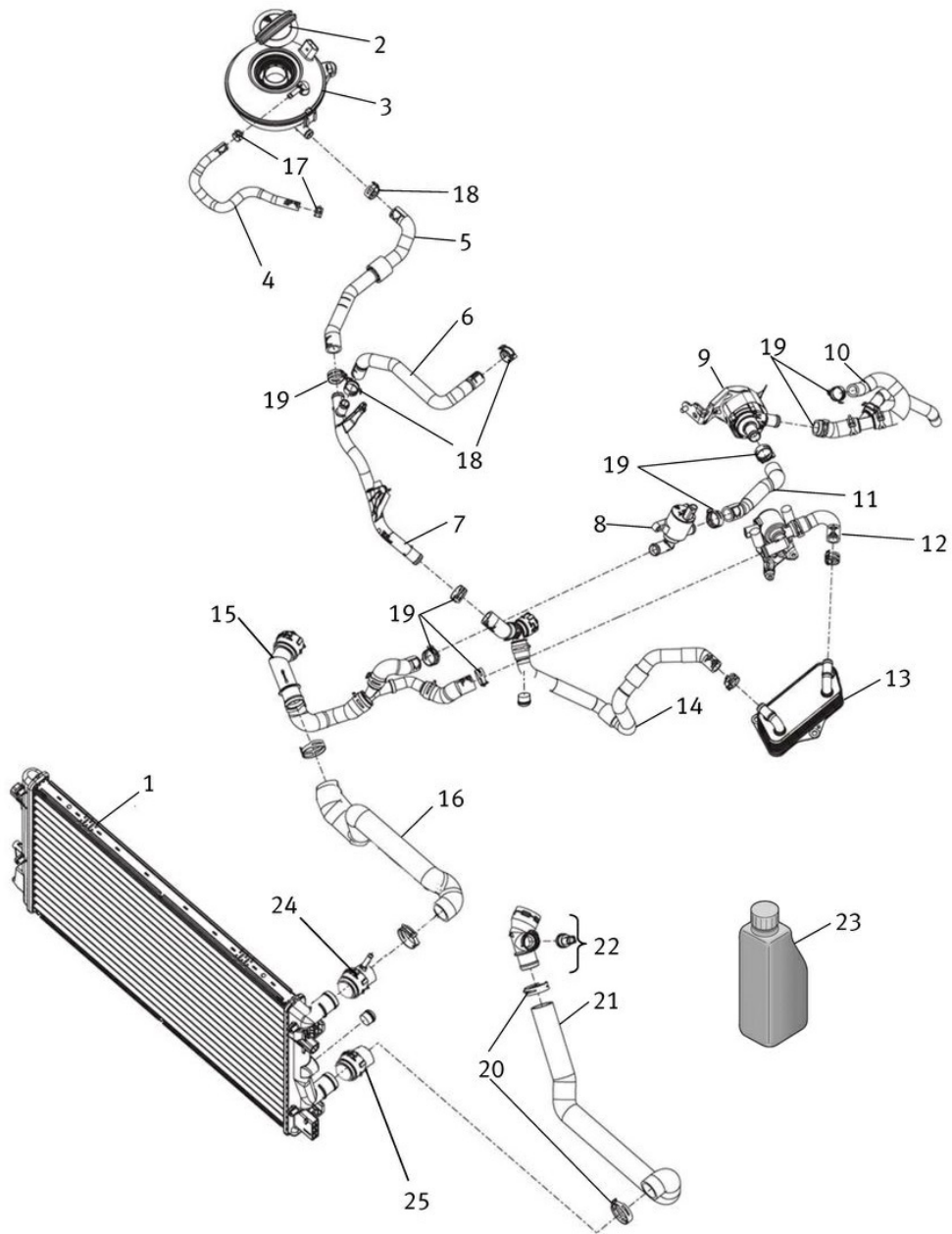
ENGINE

Pos.	Reference	Description	Qty.
01	_N_90665001	XZN BOLT M10X22.3X1.0	8
02	_06J903023A	ALTERNATOR 14V 140A	1
03	_N_91204501	HEXAGON BOLT	4
04	_D174003M2	SEALING SILICONE -80ml-	1
05	_N_91071701	HEXAGON SOCKET FLAT HEAD BOLT M6X25	20
06	_06K103600R	OIL SUMP-LOWER PART	1
07	_03F907660D	OIL LEVEL SENSOR	1
08	_N_01508210	NUT ATB M6	1
09	_N_10746301	HEXAGON FLANGE SCREW M8X60	3
10	_06K145172	DEFLECTION PULLEY	1
11	_03L260817	CENTRE SLEEVE 11,15X6,5	1
12	_06L103801	OIL SUMP PLUG	1
12 bis	5F6103035A	OIL RECIRCULATING PLUG	1
13	_06K103649	GASKET FOR OIL SUMP	1
14	_06L903137A	POLY-V-BELT 21,36X1132MM	1
15	_06L903133F	BELT TENSIONER DAMPER	1
16	_06L115562B	OIL FILTER	1
17	5F6103113B	COVER	1
18	VN0005163300	RACORD 90° SWIVEL (H/H) 06D-06D	1
19	VLH3103155	NON-RETURN VALVE	1
20	5F6422892	HOSE 06D-45°/90° L=605MM (RETURN) OLD REFERENCE V4PL422892C	1
21	5F6103495	ENGINE OIL GASES BREATHER COVER	1
22	_N_90687001	SPRING BAND CLAMP 27X12	2
23	_N_90686901	SPRING BAND CLAMP 23X12	1
24	5F6103214A	OIL GASES BREATHER HOSE -ENGINE-	1
25	V0JL103069	OIL CATCH TANK	1
26	5F6103213	BREATHER PIPE -OIL GASES INTAKE-	1
N/D	_06L133201AH	INTAKE MANIFOLD	1

□

Pos.	Reference	Description	Qty.
------	-----------	-------------	------

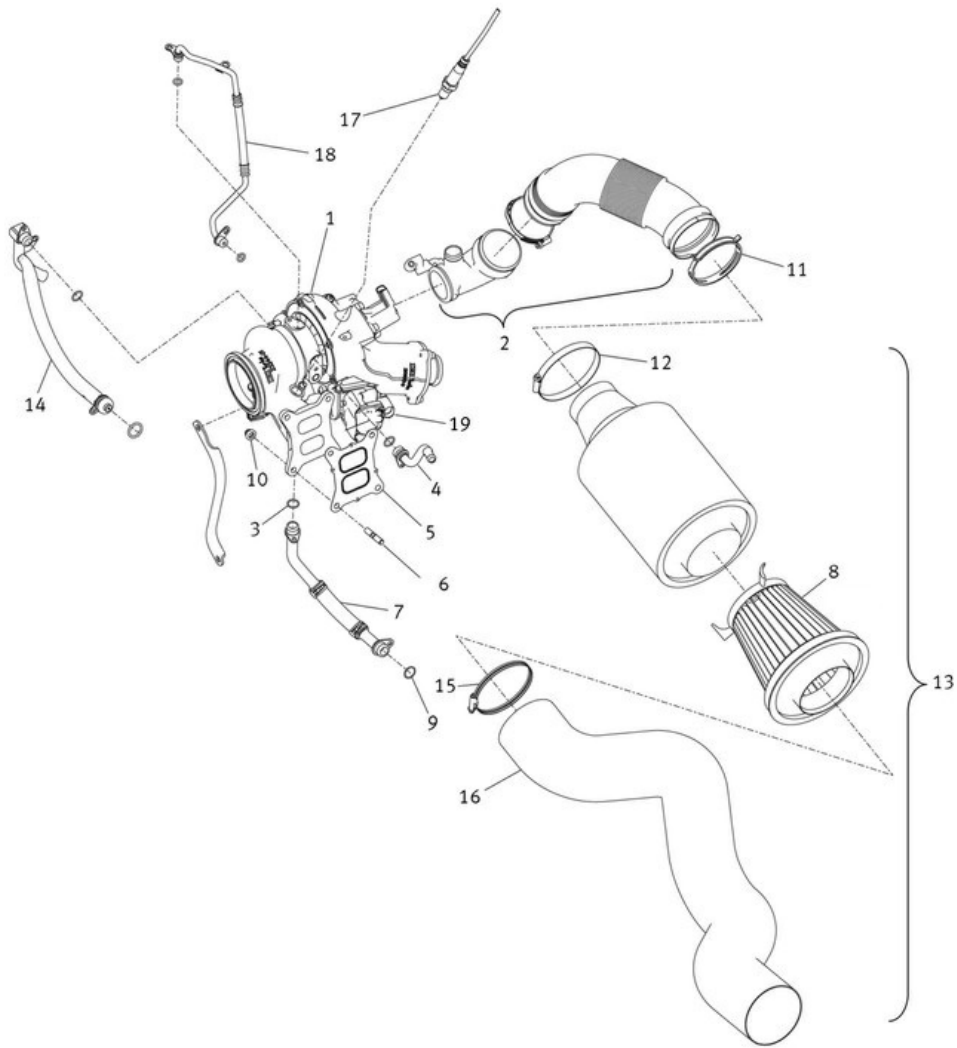
ENGINE WATER COOLING SYSTEM



ENGINE WATER COOLING SYSTEM

Pos.	Reference	Description	Qty.
01	5F6190251	RADIATOR OLD REFERENCE 5F6121251	1
02	_2Q0121321A	EXPANSION TANK CAP	1
03	_5Q0121407H	EXPANSION TANK OLD REFERENCE _5Q0121407G	1
04	_5Q0121447G	COOLANT HOSE	1
05	5F6122109	COOLANT HOSE OLD REFERENCE _5Q0122109J	1
06	_5Q0121058R	COOLANT HOSE	1
07	_5Q0121070BR	COOLANT PIPE OLD REFERENCE _5Q0121070AB	1
08	_4H0121671D	SOLENOID VALVE	1
09	_5Q0121599AA	AUXILIARY WATER PUMP	1
10	_5Q0122073AB	COOLANT HOSE	1
11	_5Q0122157AB	COOLANT HOSE	1
12	_5Q0122096AB	RADIATOR HOSE WITH VALVE	1
13	_02E409061D	OIL RADIATOR GEARBOX	1
14	_5Q0122058Q	COOLANT HOSE WITH QUICK RELEASE COUPLING OLD REFERENCE _5Q0122058C	1
15	_5Q0122101GN	COOLANT HOSE WITH QUICK RELEASE COUPLING	1
16	5F6121051B	RADIATOR INLET HOSE	1
17	_N_90686701	SPRING BAND CLAMP 14X12	2
18	_N_90686901	SPRING BAND CLAMP 23X12	5
19	_N_90687001	SPRING BAND CLAMP 27X12	8
20	_N_90687201	SPRING BAND CLAMP 40X12	2
21	5F6121051C	RADIATOR OUTLET HOSE	1
22	_1K0122291AD	FAST COUPLING	1
23	V31098005	RAVENOL LGC LOBRID GLYCERIN COOLANT PLEASE, CONTACT YOUR LOCAL RAVENOL DISTRIBUTOR	1
24	_5Q0122291BD	FAST COUPLING -INLET RADIATOR-	1
25	_3B0122291C	FAST COUPLING -OUTLET RADIATOR-	1

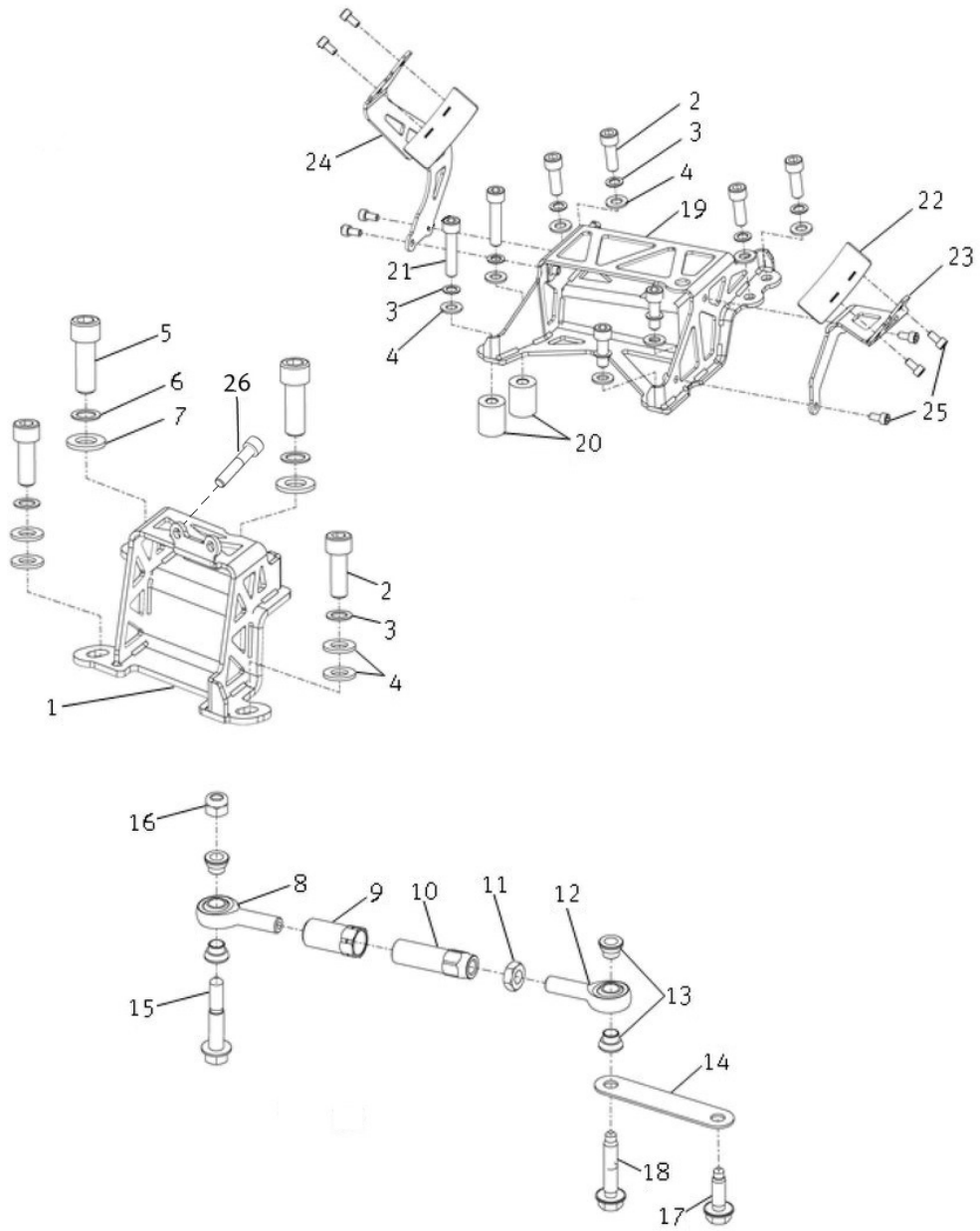
ENGINE AIR INTAKE & TURBO



ENGINE AIR INTAKE & TURBO

Pos.	Reference	Description	Qty.
01	5F6145701	TURBOCHARGER -SEALED- INCLUDES PARTS NÂº 5 & 10. OLD REFERENCE VLH3145701	1
02	5F6129654	MODIFIED INTAKE HOSE	1
03	_WHT006113	O-RING 15X1,8	1
04	_06K121492F	COOLANT PIPE -RETURN TURBOCHARGER-	1
05	_06L253039	TURBO SEAL	1
06	_N_91145003	STUD M8X22	4
07	_06K145735T	OIL RETURN LINE	1
08	5F6133838A	AIR FILTER (6 PLIES) OLD REFERENCE 5F6133838	1
09	_WHT006112	O-RING 16,75X1,65	1
10	_N_91130801	HEXAGON COLLAR NUT SELF-LOCKING M8	4
11	_N_90656501	SPRING BAND CLAMP 85X12	1
12	VN0004014400	TOOTHED STAINLESS CLAMP 13MM 90X110 SW7	1
13	5F6133151A	AIR BOX SET	1
14	_06K121497AM	COOLANT PIPE -TURBOCHARGER-	1
15	5F6129642A	INTAKE HOSE CLAMP Å~90	1
16	5F6129618	INTAKE HOSE	1
17	_06K906262CS	LAMBDA SENSOR	1
18	_06K145778AE	OIL PIPE -TURBOCHARGER-	1
19	_06K145725T	WASTEGATE ACTUATOR	1
N/D	VN0000052700	CLEANING KIT FOR AIR FILTER	1
N/D2	VN0000052800	REGENERATION FLUID AIR FILTER -BMC- 250c	1
N/D3	VN0000052900	SPRAY FLUID REGENERATION AIR FILTER 200c	1

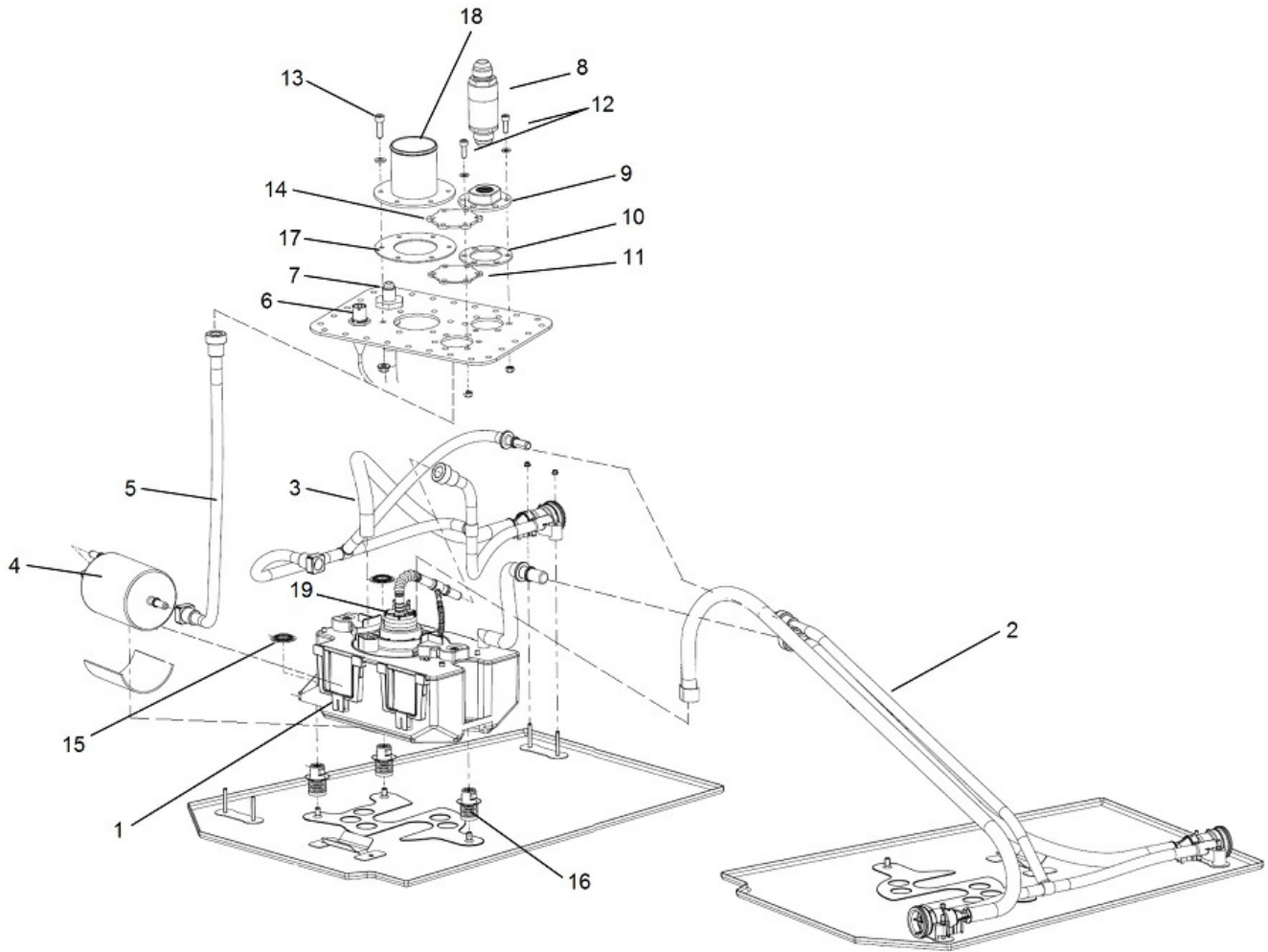
ENGINE SUPPORTS



ENGINE SUPPORTS

Pos.	Reference	Description	Qty.
01	5F6199262A	ENGINE SUPPORT	1
02	VN0001161339	ALLEN BOLT M10X30 DIN912 12,9	8
03	VN0002150700	PRESSED TYPE WASHER Å~10.5XÅ~16	10
04	VN0002001039	FLAT WASHER Å~10 DIN125	12
05	VN0001172039	ALLEN BOLT M12X35X1.5	2
06	VN0002150800	PRESSED TYPE WASHER Å~13XÅ~18	2
07	VN0002001120	FLAT WASHER Å~12MM DIN125	2
08	V2MT313121	MALE BALL JOINT Å~12 (LEFT)	1
09	V3FL199818	LEFT NUT M12 (LEND SUPPORT)	1
10	V3FL199852	LEND SUPPORT	1
11	VN0003060318	NUT PAV. 12.9 M12 DIN 936	1
12	V2MT313119	MALE BALL JOINT M12 Å~12	1
13	V3GL199065	SOCKET JOINT M12	4
14	V3GL199436	BRACKET SUPPORT	1
15	_N_90781301	HEX. BOLT M10X65	1
16	_N_10332002	NUT M10	1
17	_N_10204807	HEXAGONAL HEAD BOLT WITH FLANGE M10X35	1
18	_N_91031702	HEXAGON SOCKET HEAD BOLT M10X50	1
19	V3FL199555A	GEARBOX SUPPORT	1
20	V3FL199561	GEARBOX SUPPORT SPACER	2
21	VN0001162039	ALLEN HEAD BOLT M10x65 DIN912 12.9	2
22	5F6133165	AIR FILTER ADAPTER	2
23	5F6133171	AIR FILTER FRONT SUPPORT	1
24	5F6133172	AIR FILTER REAR SUPPORT	1
25	_N_10098811	HEX. BOLT M6X16	8
26	_N_10569501Å	ROUND-HEAD SCREW WITH INNER HEX. SOCKET	2

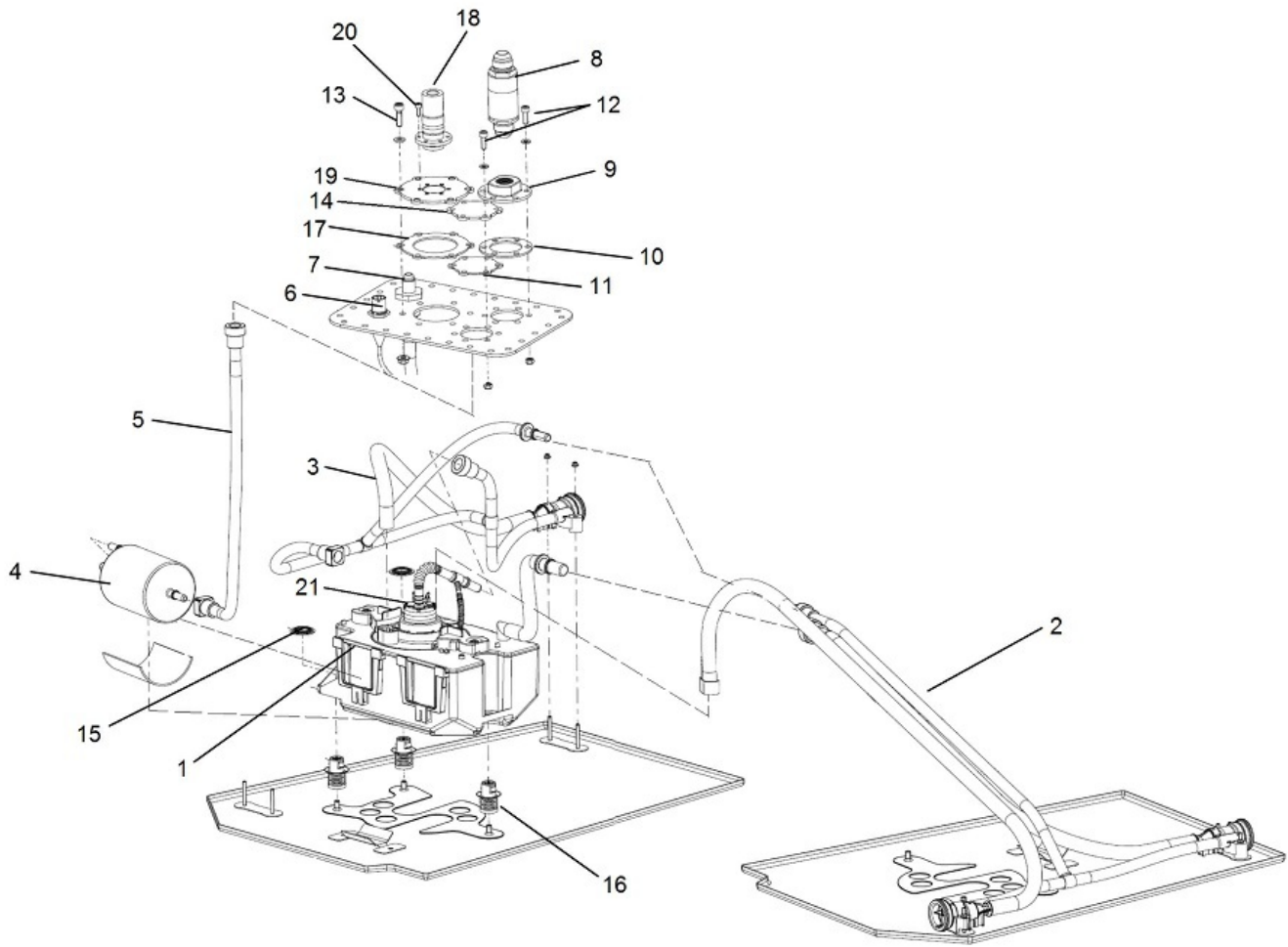
TANK & FUEL SYSTEM 1 "EXTERN REFUELING"



TANK & FUEL SYSTEM 1 "EXTERN REFUELING"

Pos.	Reference	Description	Qty.
01	8JR919051	FUEL PUMP ASSY. SPARE PART NÂ°19 INCLUDED	1
02	5F6201863	SUCTION JET PUMP	1
03	5F6201864	SUCTION JET PUMP	1
04	_4F0201511E	FUEL FILTER	1
05	5F6201220	SUPPLY PIPE (Z)	1
06	8JR971316	WIRING SET	1
07	8JR201049A	FUEL LINE CONNECTION	1
08	V8PS201753	FIA VALVE	1
09	8JR201831A	CONECTING PIECE	1
10	8JR201621A	VITON SEAL	1
11	5F6201939B	VITON SEAL	1
12	VN0001148816	ALLEN BOLT M5X16	6
13	VN0001153016	ALLEN BOLT M6X20	6
14	5F6201783A	SHIELD	1
15	8JR201442	CLAMPING RING	2
16	8JR201067	DE-COUPLING PART	3
17	8JR201621	FILLER NECK GASKET	1
18	8JR201117	FILLER NECK	1
19	8JR201444	FUEL PUMP	1
N/D	5F6201511	FUEL FILTER	1
N/D2	8JR201811	VALVE	1
N/D3	8JR201785	VALVE SUPPORT	1

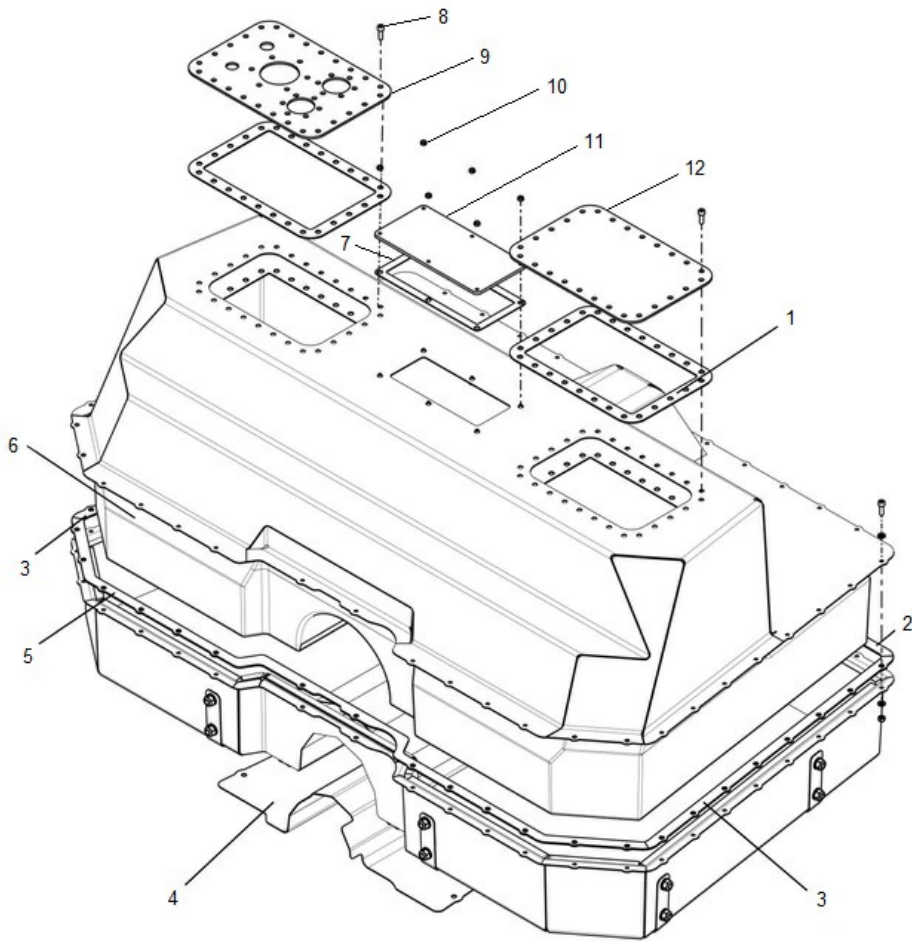
TANK & FUEL SYSTEM 1



TANK & FUEL SYSTEM 1

Pos.	Reference	Description	Qty.
01	8JR919051	FUEL PUMP ASSY. SPARE PART NÂ°21 INCLUDED	1
02	5F6201863	SUCTION JET PUMP	1
03	5F6201864	SUCTION JET PUMP	1
04	_4F0201511E	FUEL FILTER	1
05	5F6201220	SUPPLY PIPE (Z)	1
06	8JR971316	WIRING SET	1
07	8JR201049A	FUEL LINE CONNECTION	1
08	V8PS201753	FIA VALVE	1
09	8JR201831A	CONECTING PIECE	1
10	8JR201621A	VITON SEAL	1
11	5F6201939B	VITON SEAL	1
12	VN0001148816	ALLEN BOLT M5X16	6
13	VN0001153016	ALLEN BOLT M6X20	6
14	5F6201783A	SHIELD	1
15	8JR201442	CLAMPING RING	2
16	8JR201067	DE-COUPLING PART	3
17	5F6201939C	VITON SEAL	1
18	VN0005130410	FEMALE FUEL TANK QUICK RELEASE	1
19	5F6201786	MOUNTING VALVE	1
20	VN0001144516	ALLEN BOLT M4X10	6
21	8JR201444	FUEL PUMP	1
N/D	5F6201511	FUEL FILTER	1

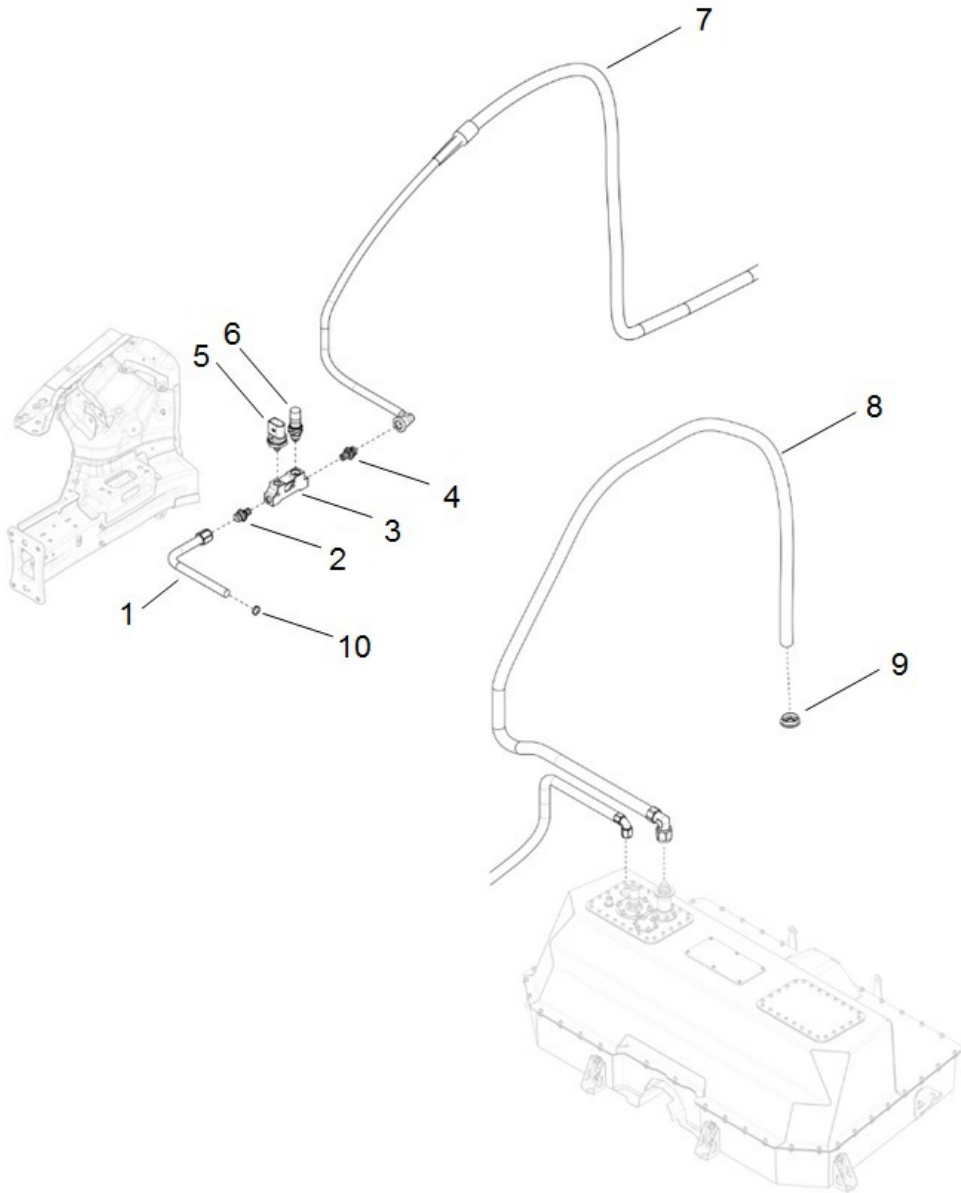
TANK & FUEL SYSTEM 2



TANK & FUEL SYSTEM 2

Pos.	Reference	Description	Qty.
01	5F6201558A	VITON SEAL	4
02	5F6201196E	VITON SEAL	1
03	5F6201196D	VITON SEAL	2
04	5F6201247A	SHIELD	1
05	5F6201196C	VITON SEAL	1
06	5F6201075B	FUEL TANK BLADDER	1
07	5F6201119A	GASKET	1
08	VN0001148816	ALLEN BOLT M5X16	64
09	8JR201319C	SEALING FLANGE	1
10	VN0003090225	NUT ATB M4	6
11	5F6201980B	PROTECTIVE COVER	1
12	8JR201319	SEALING FLANGE	1

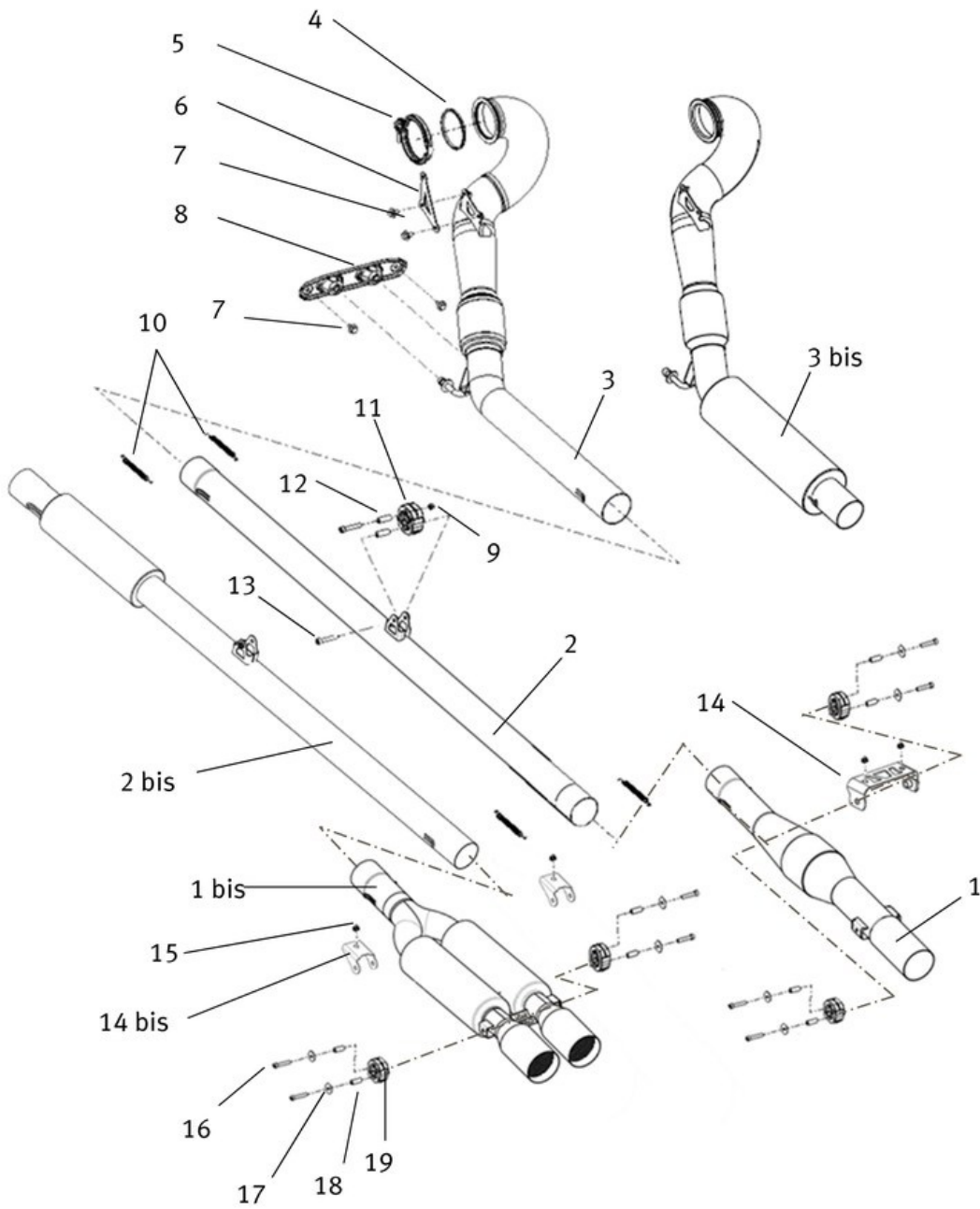
FUEL LINE



FUEL LINE

Pos.	Reference	Description	Qty.
01	5F6133986	FUEL LINE	1
02	VN0005170500	ADAPTER (M/M) M10X1-06D	1
03	5F6201883A	FUEL TEE	1
04	V2MT201884A	FAST COUPLING ADAPTER M10X100	1
05	_06H906051J	PRESSURE SENSOR	1
06	V4PL201940A	FEMALE FUEL TANK DRY BREAK 9MM	1
07	5F6201757	FUEL HOSE	1
08	5F6201179	BREATHER HOSE 2000mm	1
09	_N_90964902	COVER Å~40	1
10	_5Q0133687	LINE BRACKET	1

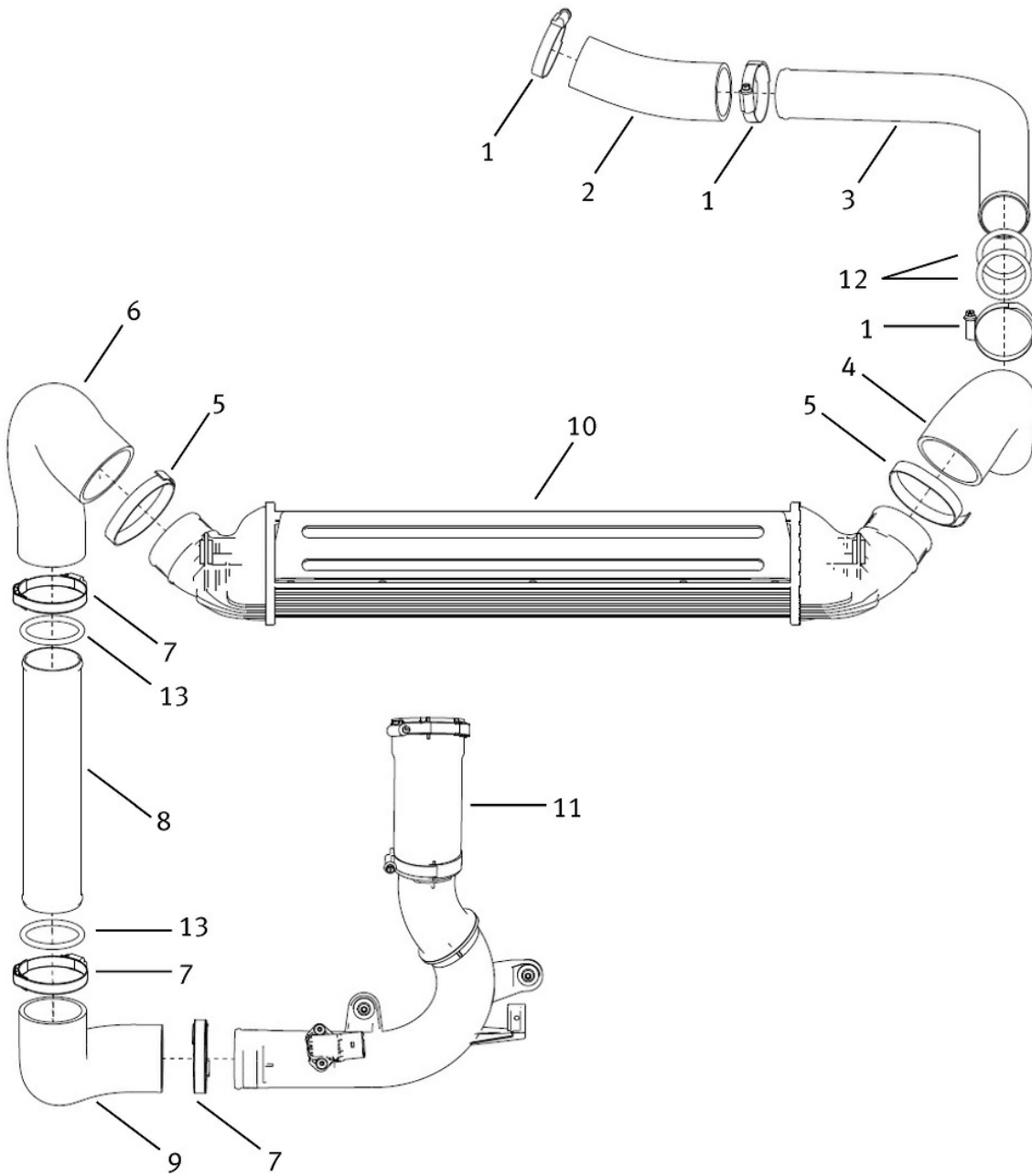
EXHAUST



EXHAUST

Pos.	Reference	Description	Qty.
01	8V6253611	EXHAUST TAIL PIPE	1
01bis	8V6253611A	EXHAUST TAIL PIPE w/ SILENCER	1
02	5F6253409A	EXHAUST INTERMEDIATE	1
02bis	5F6253409B	EXHAUST INTERMEDIATE PIPE w/ SILENCER	1
03	5F6253059	EXHAUST DOWN PIPE	1
03bis	5F6253059B	EXHAUST DOWN PIPE w/SILENCER	1
04	_5Q0253115B	SEAL	1
05	_5Q0253725G	CLAMP	1
06	V3FL253249	EXHAUST SUPPORT	1
07	_N_91079301	HEX. BOLT M8X16	4
08	_1K0253144AE	SILENTBLOCK SUPPORT	1
09/15	_N_02300313	NUT M8 Common reference for positions 09 (1 piece) and 15 (2 pieces)	1
10	5F6253496	SPRING	4
11	_8D0253147E	RUBBER SUPPORT	1
12	V3GL253579	EXHAUST SILENTBLOCK SPACER	2
13	VN0001157639	ALLEN BOLT M8X45 DIN912 12.9 PAV.	2
14	8V6253144	EXHAUST SUPPORT wo/ SILENCER	1
14bis	8V6253144A	EXHAUST SUPPORT w/ SILENCER	2
16	VN0001157939	ALLEN BOLT M8X60 DIN912 12.9 PAV.	4
17	VN0002221410	FLAT WASHER ~8X~30	4
18	V3FL253579	EXHAUST SILENTBLOCK SPACER	4
19	_8L9253147	RUBBER SUPORT	2

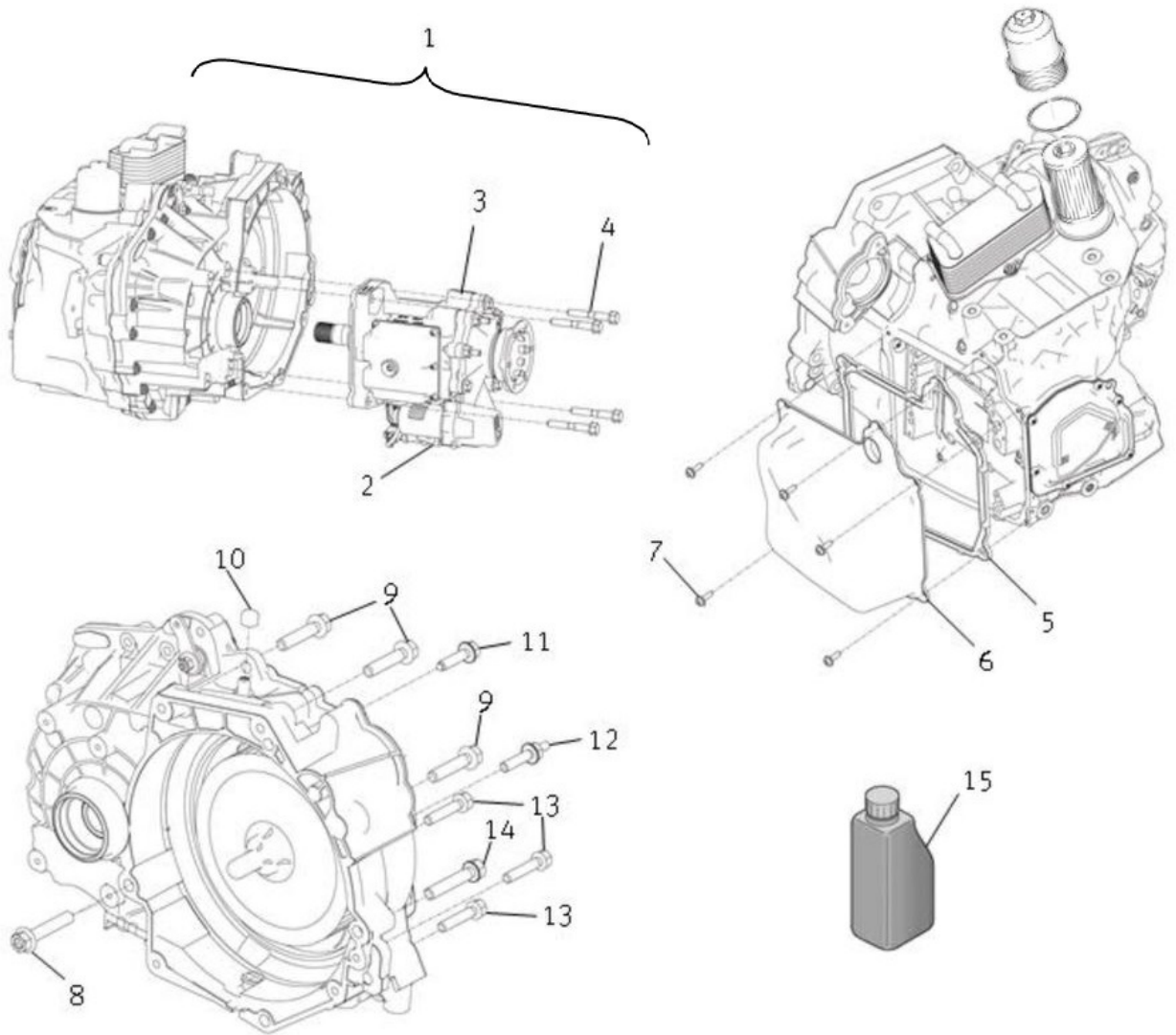
COOLING SYSTEM



COOLING SYSTEM

Pos.	Reference	Description	Qty.
01	_N_10734801	CLAMP 40-60 X12	3
02	5F6145695A	INTAKE HOSE -TURBO OUTLET- OLD REFERENCE 5F6145695	1
03	5F6145840	INTAKE PIPE -INTERCOOLER INLET-	1
04	5F6145832A	INTAKE HOSE -INTERCOOLER INLET-	1
05	_N_0245034	CLAMP 60-80x13x0,5	2
06	5F6145834A	INTAKE HOSE -INTERCOOLER OUTLET-	1
07	_N_10518901	CLAMP 50-70X12	3
08	5F6145770	INTAKE PIPE -INTERCOOLER OUTLET-	1
09	5F6145861	INTAKE HOSE	1
10	5F6145803A	INTERCOOLER	1
11	_5Q0145792E	INTAKE PIPE W/ MAP SENSOR SEE PRESSURE SENSOR (REF. _03G906051E) IN ELECTRONIC COMPONENTS 1	1
12	VN0002545700	O-RING NBR 45x6	2
13	VN0002545800	O-RING NBR 55x6	2

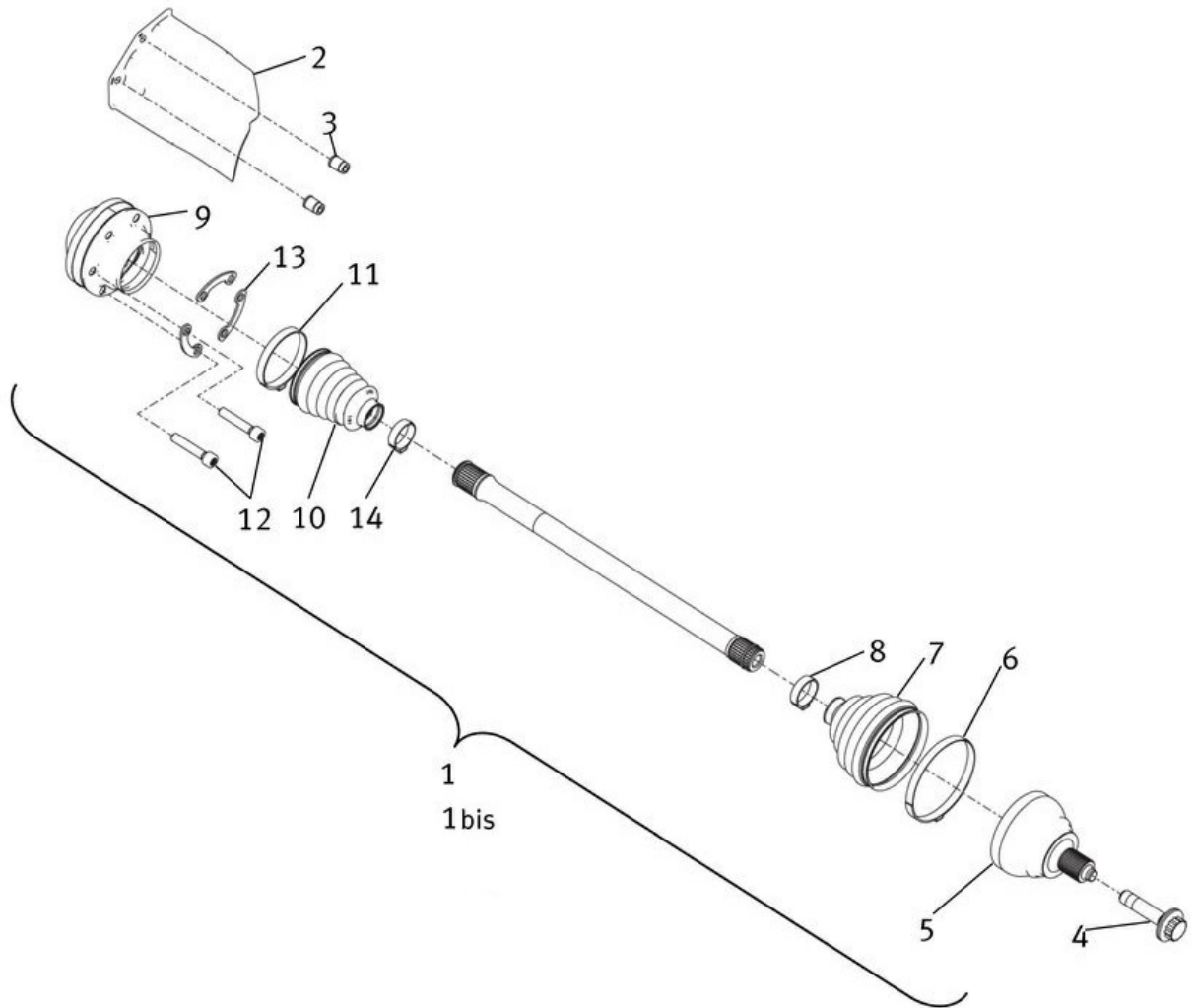
GEARBOX



GEARBOX

Pos.	Reference	Description	Qty.
01	5F6300020	GEARBOX MODIFIED AND SEALED -DSG- OLD REFERENCE VL1G300C00. REFERENCE VL1G301400 (BREATHER LINE) IS INCLUDED	1
02	VL1G907321	VAQ PUMP	1
03	5F6409055	FRONT AXLE DIFFERENTIAL LOCK	1
04	_N_90990202	DUO HEXAGON -SHOULDER BOLT-M10X11X70	4
05	_02E321371E	GASKET	1
06	_02E325201D	COVER MECHATRONIC	1
07	_N_91032701	TORX BOLT WITH FLANGE M6X20	5
08	_N_10692401	HEXAGON HEAD BOLT (COMBI) M12X70	1
09	_N_91030402	BOLT M12X55	3
10	_095409841	VENTILATION CAP	2
11	_N_90956402	BOLT M10X45	1
12	_N_91191701	BOLT M10X40 - M8X16	1
13	_N_91031702	HEXAGON SOCKET HEAD BOLT M10X50	3
14	_N_91060202	HEX COLLARED BOLT M12X1,5X65	1
15	V31748027	GEARBOX OIL RAVENOL DCT/DSG PLEASE, CONTACT YOUR LOCAL RAVENOL DISTRIBUTOR	1
N/D	5F6325025	PROGRAMED DSG GEARBOX MECHATRONIC OLD REFERENCE VL1G325025	1
N/D2	VL1G301400	BREATHER LINE	1
N/D3	_G060175A2	HIGH-PERFORMANCE OIL FOR HALDEX COUPLING	1

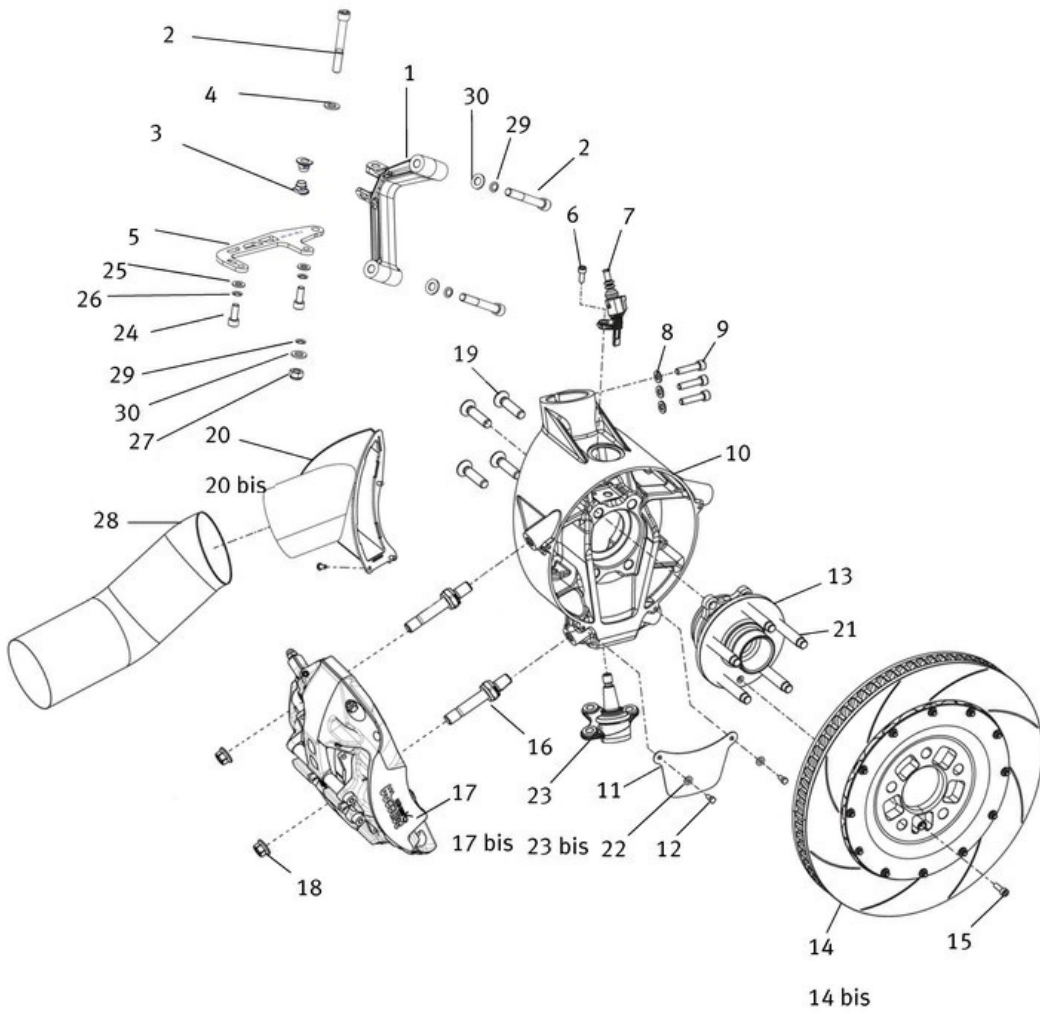
DRIVESHAFT



DRIVESHAFT

Pos.	Reference	Description	Qty.
01	5F6407271A	LEFT DRIVESHAFT	1
01bis	5F6407272A	RIGHT DRIVESHAFT	1
02	_5Q0407720	GUARD PLATE	1
03	_1K0407407	HEXAGON SOCKET HEAD PIPE NUT M8X20X15	2
04	5F6407643C	DRIVESHAFT HEAD BOLT	2
05	_3C0407311A	C.V. JOINT	2
06	5F6407291	DRIVESHAFT CLAMP	2
07	5F6407285	EXTERNAL CV JOINT BOOT	2
08	5F6407292	DRIVESHAFT CLAMP	2
09	_1K0407331	EXTERNAL ARTICULATION	2
10	_1K0407283A	INTERNAL CB JOINT BELLOWS	2
11	_N_90947301	CLAMP 75X10X1	2
12	_N_90991102	SOCKET HEAD BOLT WITH INNER M10X52	12
13	_1K0407357D	SPACER	6
14	_N_90824001	CLAMP	2
N/D	VN0000040401	CV JOINT GREASE 300Gr	1

FRONT UPRIGHT AND HUB

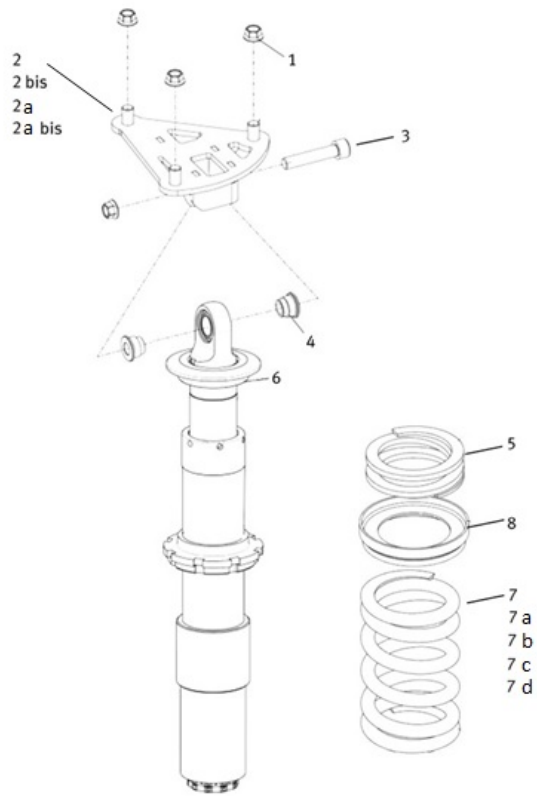


FRONT UPRIGHT AND HUB

Pos.	Reference	Description	Qty.
01	5F6407839E	STEERING HANDLE	2
02	5F6407137	STEERING HANDLE FIXATION SCREW	6
03	5F6419775	BUSH	4
04	VN0002081130	ARANDELA ELASTICA A 25X12X1,5 DIN2093	2
05	5F6407130B	REINFORCEMENT -STEERING HANDLE-	2
06	_N_01474011	HEXAGONAL HEAD NUT M6X16	2
07	_WHT003856	WHEEL SPEED SENSOR	2
08	VN0002150600	PRESSED TYPE WASHER 8.5X13	6
09	VN0001157439	ALLEN BOLT M8X35 DIN912 12,9 PAV.	6
10	5F6407251	UPRIGHT WITH INSERTS	2
11	V3FL615311A	THERMAL PROTECTION PLATE	2
12	VN0001148539	ALLEN BOLT M5X10DIN912	4
13	5F6407614D	WHEEL HUB WITH STUDS AND ALIGNER	2
14	5F6615297C	COMPLETE LEFT FRONT BRAKE DISC 378X34	1
14bis	5F6615298C	COMPLETE RIGHT FRONT BRAKE DISC 378X34	1
15	VN0001153216	ALLEN BOLT M6X25 DIN912 8.8 ZN.	2
16	5F6615421	BRAKE CALIPER STUD -RADICAL-	4
17	5F6615105A	BRAKE CALIPER FRONT LEFT	1
17bis	5F6615106A	BRAKE CALIPER FRONT RIGHT	1
18	VN0003221200	K-NUT M12	4
19	_WHT000237	BOLT M12x45	4
20	5F6615393	AIR DUCT ELEMENT	1
20bis	5F6615394	AIR DUCT ELEMENT	1
21	5F6601295	WHEEL STUD	10
22	VN0002150300	PRESSED TYPE WASHER 5,2X9	4
23	5F6407365	GUIDE JOINT LEFT OLD REFERENCE V3FL407365	1
23bis	5F6407366	GUIDE JOINT RIGHT OLD REFERENCE V3FL407366	1
24	VN0001161039	ALLEN HEAD BOLT 12.9 M10X20DIN912	4

Pos.	Reference	Description	Qty.
25	VN0002001010	WASHER Ã~10XÃ~20X2	4
26	VN0002150700	PRESSED TYPE WASHER Ã~10.5XÃ~16	4
27	VN0003090825	AUTO LOOKING NUT M12 DIN985	2
28	8V6615357	BOOT -820mm-	2
29	VN0002150800	PRESSED TYPE WASHER Ã~13XÃ~18	4
30	VN0002001139	FLAT WASHER Ã~12 DIN125	4
N/D	5F6498839	STEERING ARM + STEERING ROD	1
N/D2	5F6601177	WHEEL SPACER 3MM	2
N/D3	5F6601177A	WHEEL SPACER 5MM	2

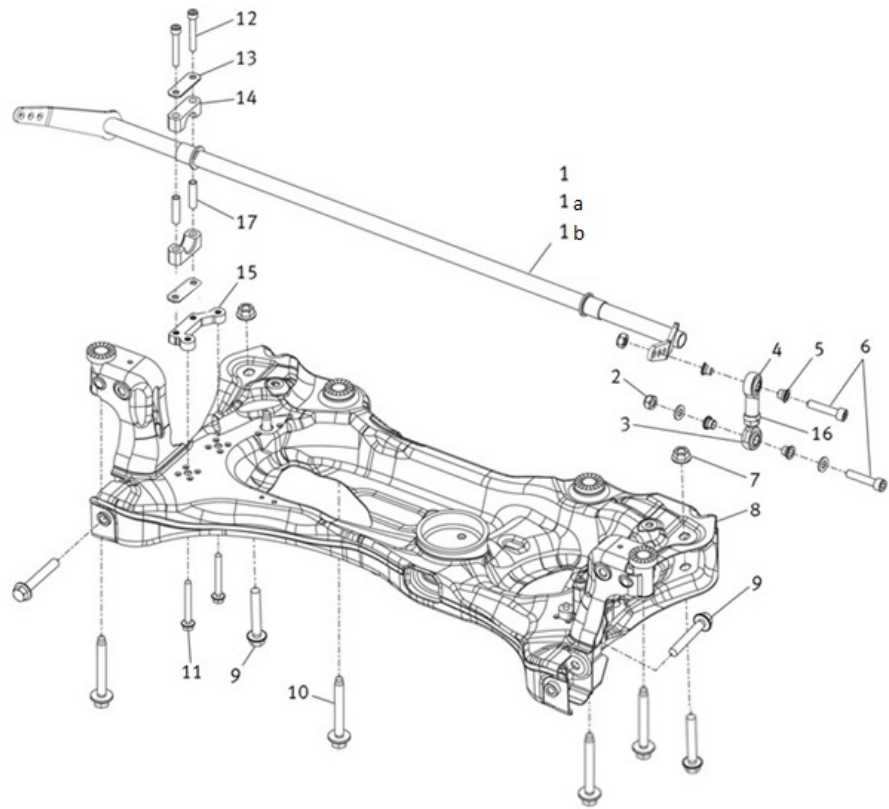
FRONT SHOCK ABSORBER



FRONT SHOCK ABSORBER

Pos.	Reference	Description	Qty.
01	VN0003221000	AVIATION'S NUT M10	8
02	V3FL412331A	FRONT LEFT TOP-MOUNT COMBINE WITH V3FL412332A	1
02 bis	V3FL412332A	FRONT RIGHT TOP-MOUNT COMBINE WITH V3FL412331A	1
02a	5F6412331B	FRONT LEFT TOP-MOUNT "Please, contact CUPRA Racing" PERFORMANCE 2019 - COMBINE WITH 5F6412332B	1
02a bis	5F6412332B	FRONT RIGHT TOP-MOUNT "Please, contact CUPRA Racing" PERFORMANCE 2019 - COMBINE WITH 5F6412331B	1
03	VN0001161739	ALLEN BOLT M10X50 DIN912 12.9 PAV.	2
04	5F6412099	BUSH	4
05	VN0020018100	TENDER SPRING 60-60-002	2
06	5F6413031B	FRONT SHOCK ABSORBER	2
07	8S6411105B	SPRING 170-60-110 STANDARD DELIVERY OPTION	2
07a	8S6411105A	SPRING 170-60-100	2
07b	8S6411105C	SPRING 170-60-120	2
07c	5F6411105	SPRING 170-60-70	2
07d	5F6411105A	SPRING 170-60-80	2
08	V2MT411113C	SPRING SPACER Å~80mm.	2

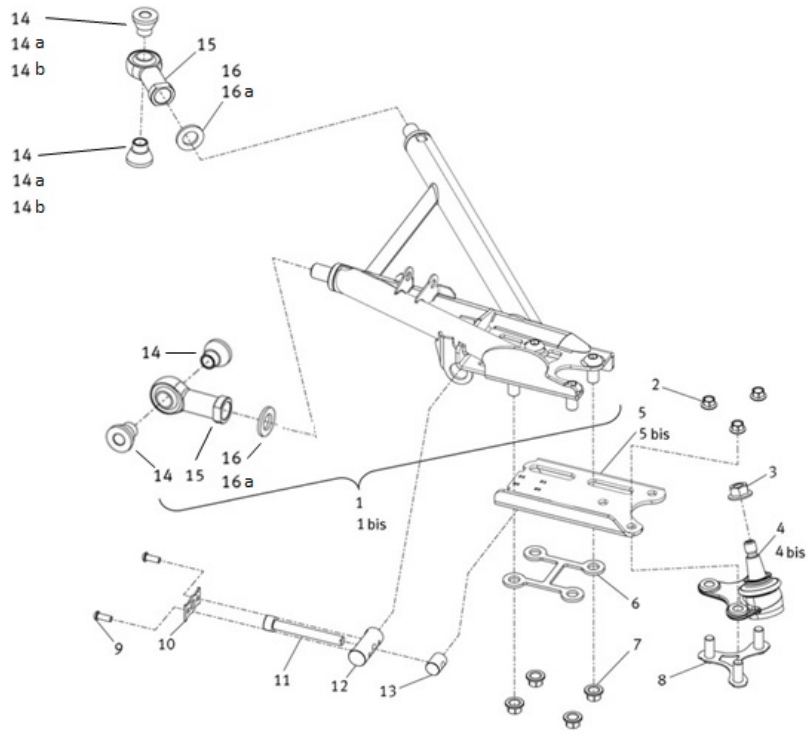
FRONT SUBFRAME



FRONT SUBFRAME

Pos.	Reference	Description	Qty.
01	V3FL411303	FRONT ANTI-ROLL BAR (ARB) Å~22X3 STANDARD DELIVERY OPTION	1
01a	V3FL411303A	FRONT ANTI-ROLL BAR (ARB) Å~22X2	1
01b	5F6411303B	FRONT ANTI-ROLL BAR (ARB) Å~22X4 "Please, contact CUPRA Racing" PERFORMANCE 2019	1
02	VN0003221000	AVIATION'S NUT M10	4
03	VN0005401212	FEMALE BALL JOINT Å~12X1,75 RIGHT -TEFLON	2
04	VN0005401012	MALE BALL JOINT Å~12X1,75 RIGHT -TEFLON	2
05	V3FL411387A	BALL JOINT SPACER	8
06	VN0001161639	ALLEN BOLT M10X150X45 DIN912 12,9 PAV.	4
07	_N_10106402	NUT ATB M12X1.50	2
08	5F6199313	FRONT SUBFRAME ASSEMBLY	1
09	_N_10640501	BOLT, HEX.HD.WITH SHOULD. M12X1,5X80	4
10	_N_10785401	HEXAGON FLANGE SCREW (COMBI) M12X1,5X95	4
11	_N_10690201	HEXAG. BOLT M8X70	4
12	5F6423131	SCREW	4
13	V3FL511456	ANTI-ROLL BAR SUPPORT PLATE	4
14	V3FL511453	ANTI-ROLL BAR SUPPORT	2
15	5F6411175	ARB AV SPACER DSG	2
16	VN0003060318	NUT PAV. 12.9 M12 DIN 936	2
17	5F6411325B	ANTI-ROLL BAR BUSH	4

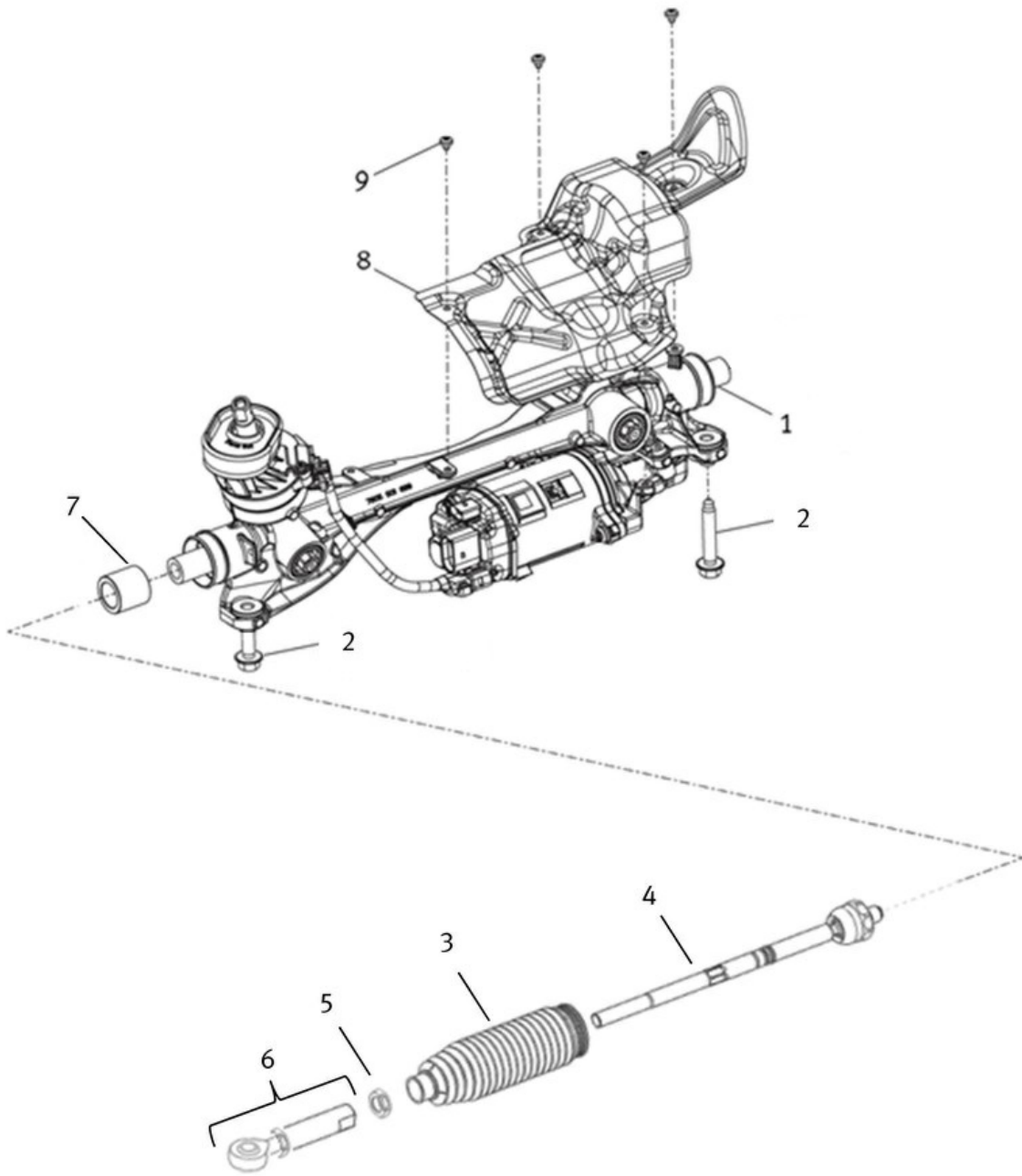
WISHBONE



WISHBONE

Pos.	Reference	Description	Qty.
01	5F6407153	LEFT WHISBONE WITH BALL JOINTS INCLUDES REFERENCES 14, 15, 16	1
01 bis	5F6407154	RIGHT WHISBONE WITH BALL JOINTS INCLUDES REFERENCES 14, 15, 16	1
02	VN0003221000	AVIATION'S NUT M10	6
03	_WHT000785A	FLAT HEXAG. NUT M12X1.5	2
04	5F6407365	GUIDE JOINT LEFT OLD REFERENCE V3FL407365	1
04 bis	5F6407366	GUIDE JOINT RIGHT OLD REFERENCE V3FL407366	1
05	5F6407189	WISHBONE EXTENSION LEFT	1
05 bis	5F6407190	WISHBONE EXTENSION RIGHT	1
06	V3FL407323	REGULATION PLATE	2
07	VN0003221200	K-NUT M12	8
08	5F6407178	GUIDE JOINT PLATE ASSY. -AV-	2
09	VN0001905939	ALLEN BOLT PAV.12.9M6X15ISO7380	4
10	5F6407557	REGULATION SCREW FIXATION PLATE OLD REFERENCE V3FL407478	2
11	VN0001021039	ALLEN BOLT M10X80 DIN912 12,9 PAV.	2
12	5F6407172	REGULATION FIXED SPACER OLD REFERENCE V3FL407477	2
13	5F6407186	REGULATION MOBIL SPACER	2
14	5F6407371	SPHERICAL BEARING SPACER	8
14a	8V6407371B	SPHERICAL BEARING SPACER "Please, contact CUPRA Racing" PERFORMANCE 2019 - ONLY COMBINE WITH 8V6407371D	2
14b	8V6407371D	SPHERICAL BEARING SPACER "Please, contact CUPRA Racing" PERFORMANCE 2019 - ONLY COMBINE WITH 8V6407371B	2
15	VN0005401616	FEMALE BALL JOINT Ã~16X1,50 RIGHT	4
16	VN0002052639	ADJUST WASHER 12.9 Ã~16E=0,2 DIN988	4
16a	VN0002056339	ADJUST WASHER PAV 12.9 Ã~16 t=0,3 DIN988	4

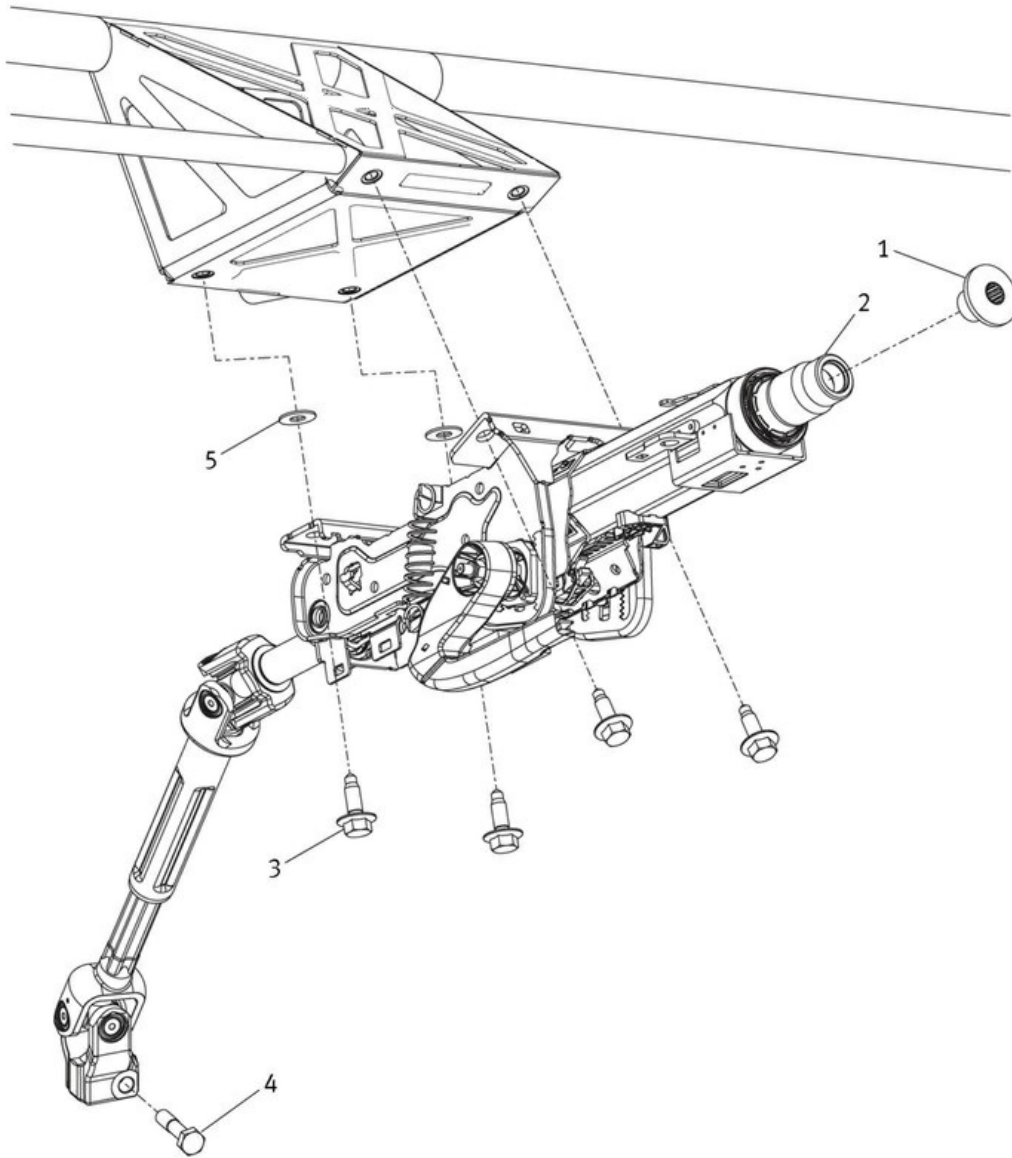
STEERING RACK



STEERING RACK

Pos.	Reference	Description	Qty.
01	5F6423055C	STEERING RACK wo/ROD END ARM-PROGRAMMED- OLD REFERENCE 5F6423055B	1
02	_N_10552402	HEX. BOLT M12X70X1.5	2
03	_1K0423831B	STEERING ROD BOOT	2
04	V3FL422807A	AXIAL JOINT	2
05	_N_10218708	HEXAGONAL NUT M14X1,5	2
06	5F6419811	STEERING TIE ROD BALL JOINT	2
07	5F6422233A	STEERING RACK STOPPER	2
08	_5Q1423981F	THERMAL PROTECTION OLD REFERENCE _5Q1423981D	1
09	_N_90915802	TORX BOLT M6X7	4
N/D	V3FL971111	POWER STEERING WIRING SET -VAQ-	1
N/D2	5F6498839	STEERING ARM + STEERING ROD	1

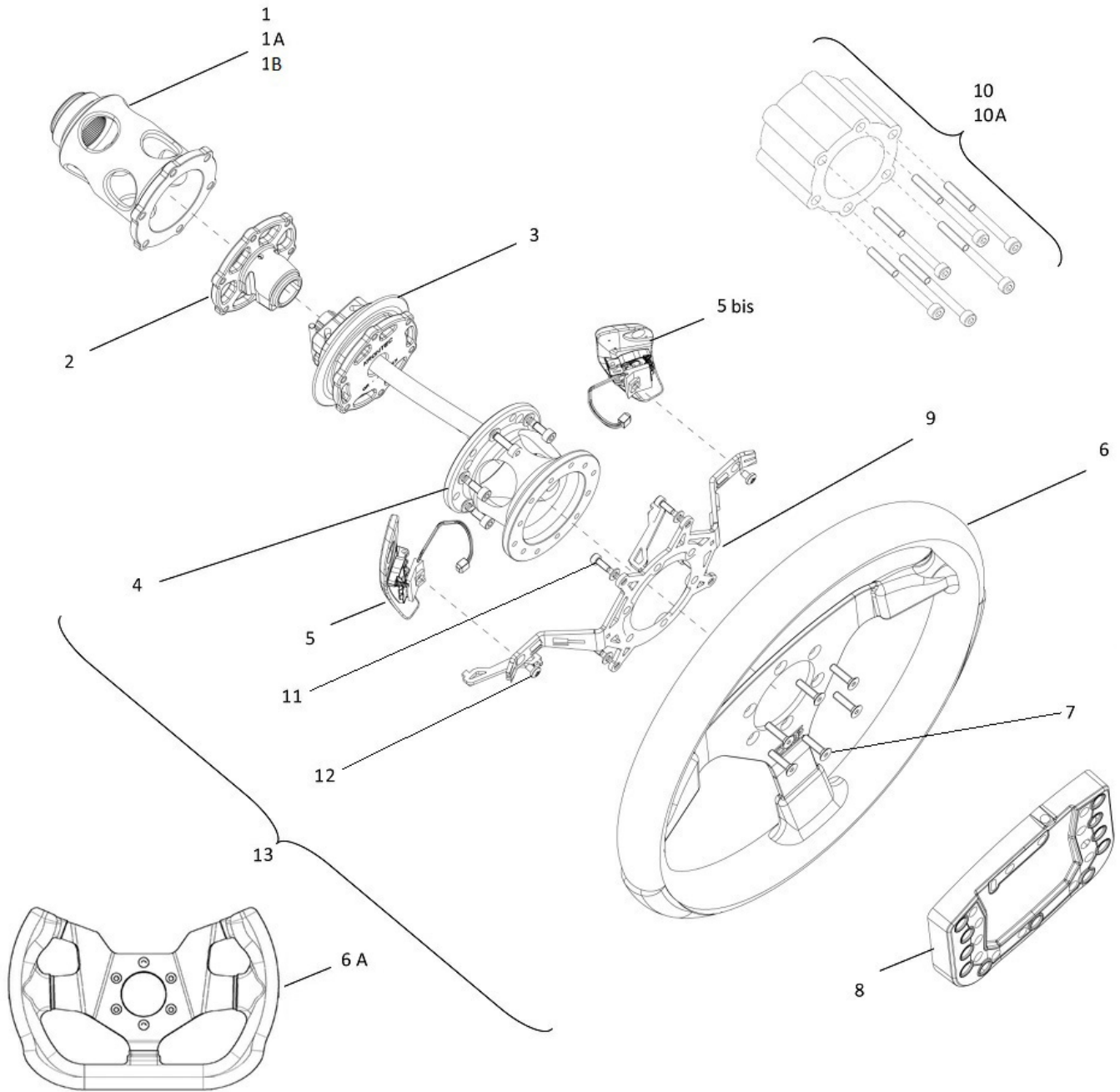
STEERING COLUMN



STEERING COLUMN

Pos.	Reference	Description	Qty.
01	_N_90799102	XZN BOLT M18X18X1.5	1
02	5F6419502	STEERING COLUMN ASSY.	1
03	_N_0195307	HEXAGON BOLT M8X35	4
04	_N_01033513	HEXAGONAL BOLT M8X35	1
05	VN0002221310	FLAT WASHER ZN 8X20 DIN522	2

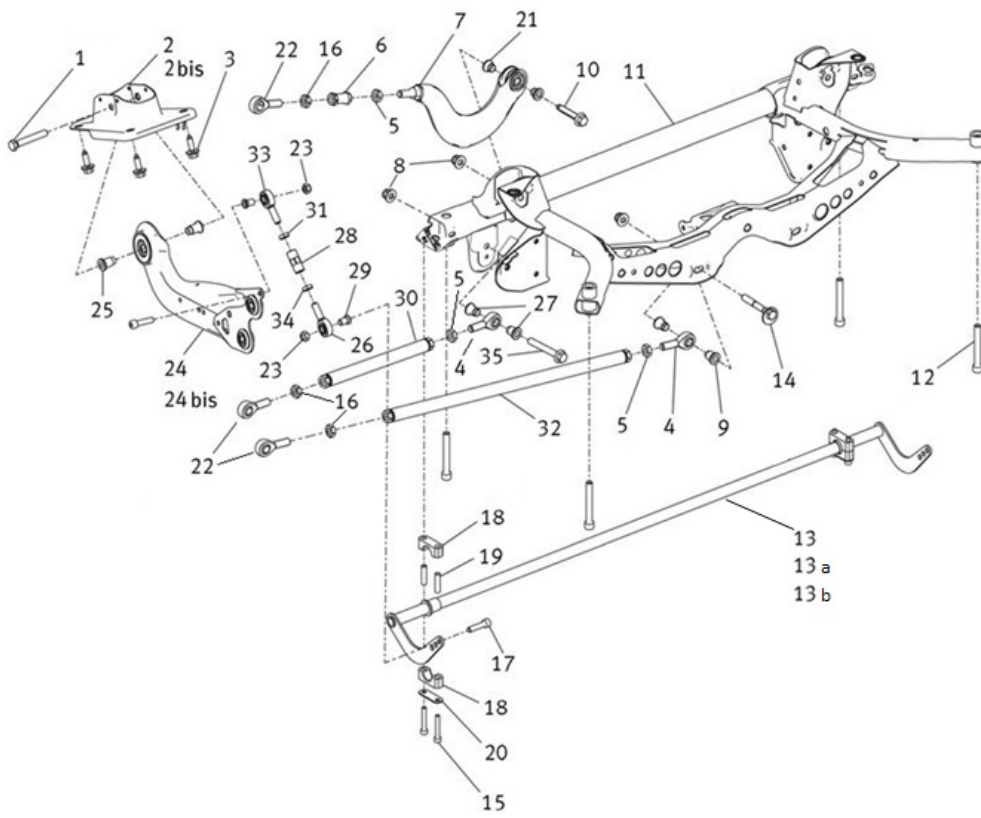
STEERING WHEEL AND SHIFT PADS



STEERING WHEEL AND SHIFT PADS

Pos.	Reference	Description	Qty.
01	5F6419919B	STEERING COLUM HUB 120MM STANDARD DELIVERY OPTION	1
01A	5F6419919A	STEERING COLUM HUB 100MM	1
01B	5F6419919C	STEERING COLUM HUB 140MM	1
02	5F6971475	WIRING HARNESS WITH QUICK RELEASE	1
03	5F6971477A	STEERING WHEEL WIRING LOOM L=20mm	1
04	V3FL419077	STEERING WHEEL DISTANCE SPACER E=60MM	1
05	_6J0951527AZ76	LEFT PADDLE SHIFT	1
05bis	_6J0951528AZ76	RIGHT PADDLE SHIFT	1
06	V3FL419091	STEERING WHEEL OMP Ã~330MM -TARGA-	1
06A	8V6419093A	STEERING WHEEL OLD REFERENCE 8V6419093	1
07	VN0001839639	ALLEN CONE BOLT M5X15 DIN7991 PAV. 12.9	6
08	5GV959400	STEERING WHEEL MULTIFUNCTION BOX	1
09	5F6919935	PADDLE SHIFT SUPPORT ASSY. OLD REFERENCE V3FL919837A	1
10	8S6422211	SPACER L=20mm	1
10A	8S6422211A	SPACER L=40mm	1
11	VN0001148539	ALLEN BOLT M5X10DIN912	4
12	_N_90986803	INTERIOR PLATE BOLT	2
13	5GV419089	COMPLETE STEERING WHEEL INCLUDES PARTS 3,4,5,6,7,8,9	1
N/D	8V6419685	EMBLEM AUDI	1

REAR AXLE

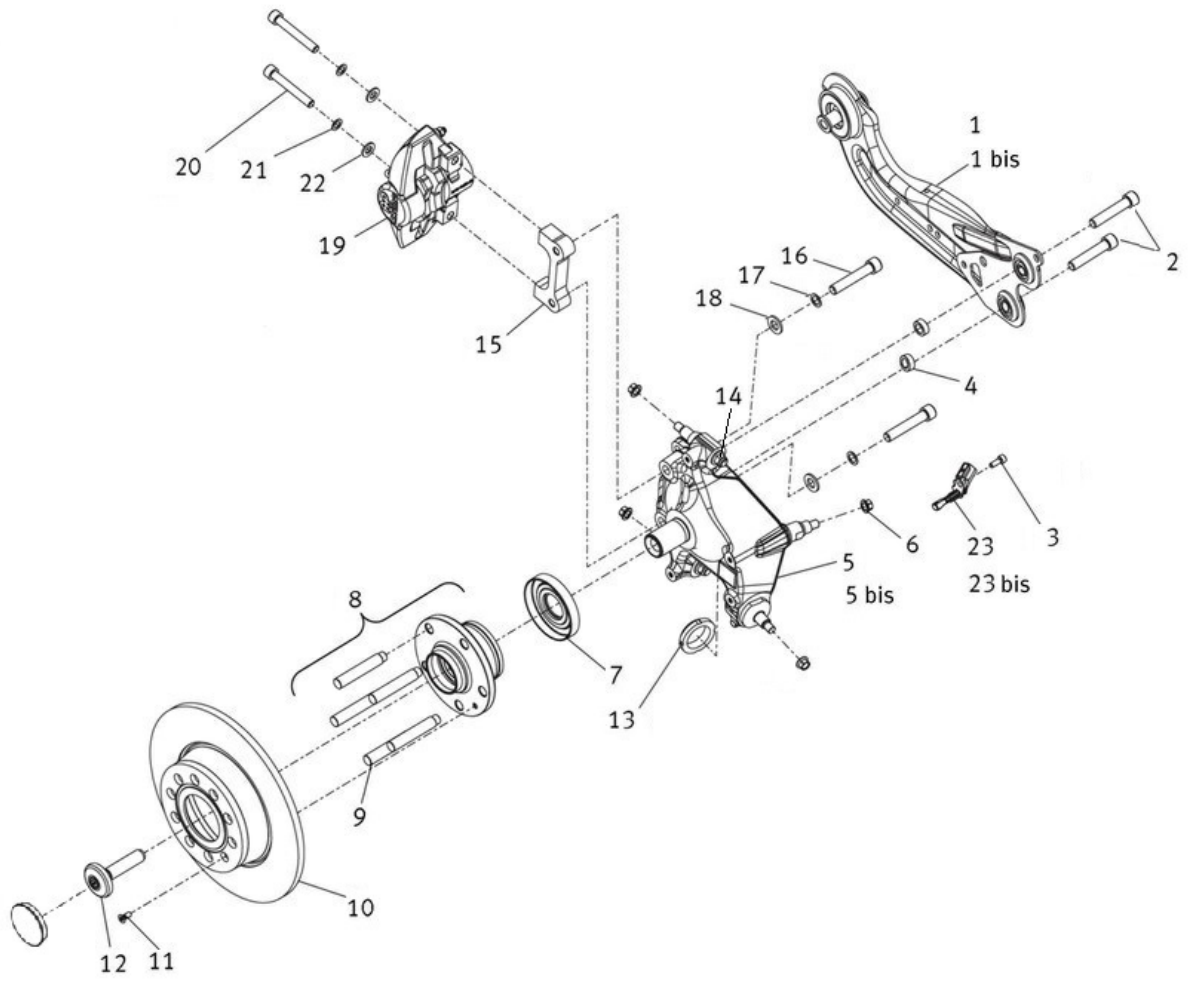


REAR AXLE

Pos.	Reference	Description	Qty.
01	_N_10769501	HEX. BOLT M12X80X1.5	2
02	_1K0505129L	LEFT BRACKET	1
02bis	_1K0505130L	RIGHT BRACKET	1
03	_N_90648402	HEX. BOLT M10X35	8
04	V4PL501673	BALL JOINT MALE Å~14	4
05	VN0003065837	NUT PAV.10 M14X150 DIN936	6
06	V3FL505338A	CAMBER REGULATION	6
07	5F6505341	SEMI-TRAILING ARM w/BALL JOINT & CIRCLIP	2
08	_N_10106402	NUT ATB M12X1.50	6
09	V4PL505529	SPACER BALL JOIN	4
10	_N_10552402	HEX. BOLT M12X70X1.5	2
11	5F6505315B	REAR SUBFRAME PERFORMANCE 2019	1
12	VN0001164039	ALLEN CIL. PAV. 12.9 M12X150X90 SCREW	4
13	V3FL511407	REAR ANTI-ROLL BAR (ARB) Å~22x3 STANDARD DELIVERY OPTION	1
13a	V3FL511407A	REAR ANTI-ROLL BAR (ARB) Å~22x4	1
13b	5F6511407D	REAR ANTI-ROLL BAR (ARB) Å~22x2 "Please, contact CUPRA Racing" PERFORMANCE 2019	1
14	_WHT001761	ECCENTRIC BOLT M12X1,5X90	2
15	VN0001157839	ALLEN HEAD BOLT M8X55 DIN912 OLD REFERENCE VN0001157739	4
16	VN0003064396	LOCKNUT NICKEL 8.8 M14x1,5 LEFT DIN936	6
17	VN0001161539	ALLEN BOLT PAV.12.9 M10X40DIN912	4
18	V3FL511453	ANTI-ROLL BAR SUPPORT	2
19	5F6411325B	ANTI-ROLL BAR BUSH OLD REFERENCE 5F6411325A	4
20	V3FL511456	ANTI-ROLL BAR SUPPORT PLATE	2
21	V3FL505531	SPHERICAL BEARING SPACER	4
22	V4PL501674	BALL JOINT LEFT MALE Å~14	6
23	VN0003221000	AVIATION'S NUT M10	4
24	5F6505225	TRAILING LINK LEFT	1
24bis	5F6505226	TRAILING LINK RIGHT	1

Pos.	Reference	Description	Qty.
25	V3GL505133	E1 SPACER	4
26	VN0005401012	MALE BALL JOINT Å~12X1,75 RIGHT -TEFLON	2
27	V3FL505529	SPHERICAL BEARING SPACER	4
28	V3GL411318A	CONNECTING ROD	2
29	V3FL505152	SOCKET JOINT M12	4
30	5F6501530	SUSPENSION FRONT ARM -SHORT-	2
31	VN0003067300	NUT (TURN LEFT) PAV. 5.6 M12	2
32	5F6505467	REAR ARM SUSPENSION -LONG-	2
33	VN0005401112	MALE BALL JOINT Å~12X1,75 LEFT -TEFLON-	2
34	VN0003000716	LOW NUT M12 DIN439	2
35	_N_10428002	BOLT M12 X 1.5 X 80	2

REAR UPRIGHT AND HUB



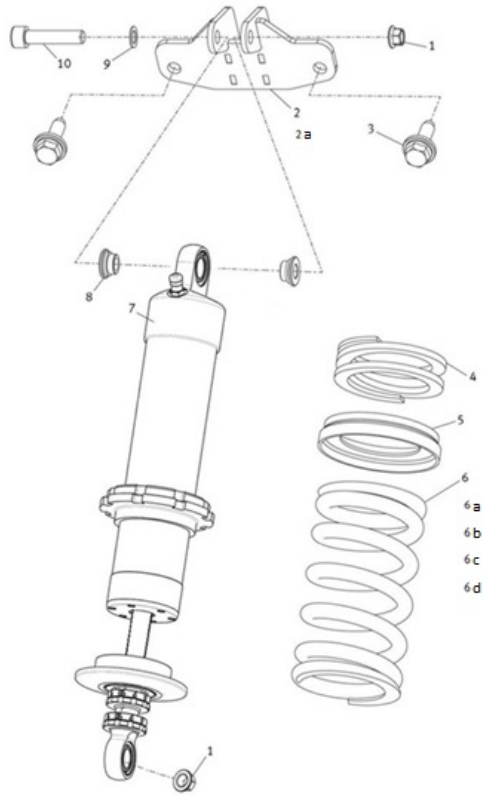
REAR UPRIGHT AND HUB

Pos.	Reference	Description	Qty.
01	5F6505225	TRAILING LINK LEFT	1
01bis	5F6505226	TRAILING LINK RIGHT	1
02	5F6505445A	REAR UPRIGHT FIXATION BOLT	4
03	_N_01474011	HEXAGONAL HEAD NUT M6X16	2
04	5F6505278	WHEEL BRACKET SPHERICAL BEARING SPACER	4
05	5F6505431	REAR UPRIGHT	1
05bis	5F6505432	REAR UPRIGHT	1
06	VN0003221000	AVIATION'S NUT M10	8
07	_3C0505491	DISTANCIAL RING REAR HUB	2
08	5F6501611A	REAR WHEEL HUB WITH STUDS	2
09	5F6601295	WHEEL STUD	10
10	_5Q0615601D	REAR BRAKE DISC 272x10 15"	2
11	_N_10648301	TORX BOLT M6X16	2
12	_WHT007150	SHOULDERED BOLT M16X1,5X70	2
13	VN0003226800	KM NUT WITH POLYAMIDE RING M35X1,5	2
14	VN0003221200	K-NUT M12	2
15	5F6615125A	BRAKING PLATE	2
16	VN0001166039	ALLEN BOLT CIL PAV 12.9 M12X65DIN912	4
17	VN0002150800	PRESSED TYPE WASHER Å~13XÅ~18	4
18	VN0002001120	FLAT WASHER Å~12MM DIN125	4
19	V2MT615407	AP REAR BRAKE CALIPER	2
20	VN0001162139	ALLEN BOLT M10X70 DIN912 12.9 PAV.	4
21	VN0002150700	PRESSED TYPE WASHER Å~10.5XÅ~16	4
22	VN0002252010	FLAT WASHER ZN Å~10X18 t=2 wo/DIN	4
23	_WHT003858	RPM REAR WHEEL RIGHT SENSOR	1
23bis	_WHT003859	RPM REAR WHEEL LEFT SENSOR	1
N/D	5F6601177	WHEEL SPACER 3MM	2
N/D2	5F6601177A	WHEEL SPACER 5MM	2

□

Pos.	Reference	Description	Qty.
------	-----------	-------------	------

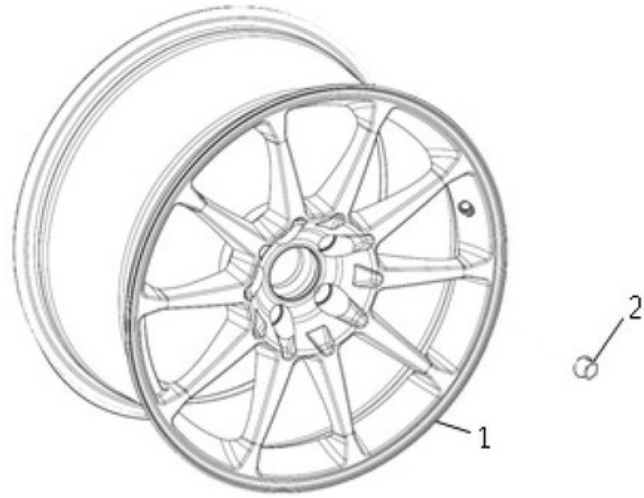
REAR SHOCK ABSORBER



REAR SHOCK ABSORBER

Pos.	Reference	Description	Qty.
01	VN0003221000	AVIATION'S NUT M10	4
02	5F6513353	REAR TOP-MOUNT	2
02a	5F6513353B	REAR TOP-MOUNT "Please, contact CUPRA Racing" PERFORMANCE 2019	2
03	_N_90648402	HEX. BOLT M10X35	4
04	VN0020018100	TENDER SPRING 60-60-002	2
05	V2MT411113C	SPRING SPACER Å~80mm.	2
06	8S6411105	SPRING 170-60-90 STANDARD DELIVERY OPTION	2
06a	8S6411105A	SPRING 170-60-100	2
06b	8S6411105B	SPRING 170-60-110	2
06c	5F6411105	SPRING 170-60-70	2
06d	5F6411105A	SPRING 170-60-80	2
07	5F6513025B	REAR SHOCK ABSORBER	2
08	V3FL505179	SACHS REAR DAMPER UPPER SPACER	4
09	VN0002150700	PRESSED TYPE WASHER Å~10.5XÅ~16	2
10	VN0001161639	ALLEN BOLT M10X150X45 DIN912 12,9 PAV.	2

WHEEL



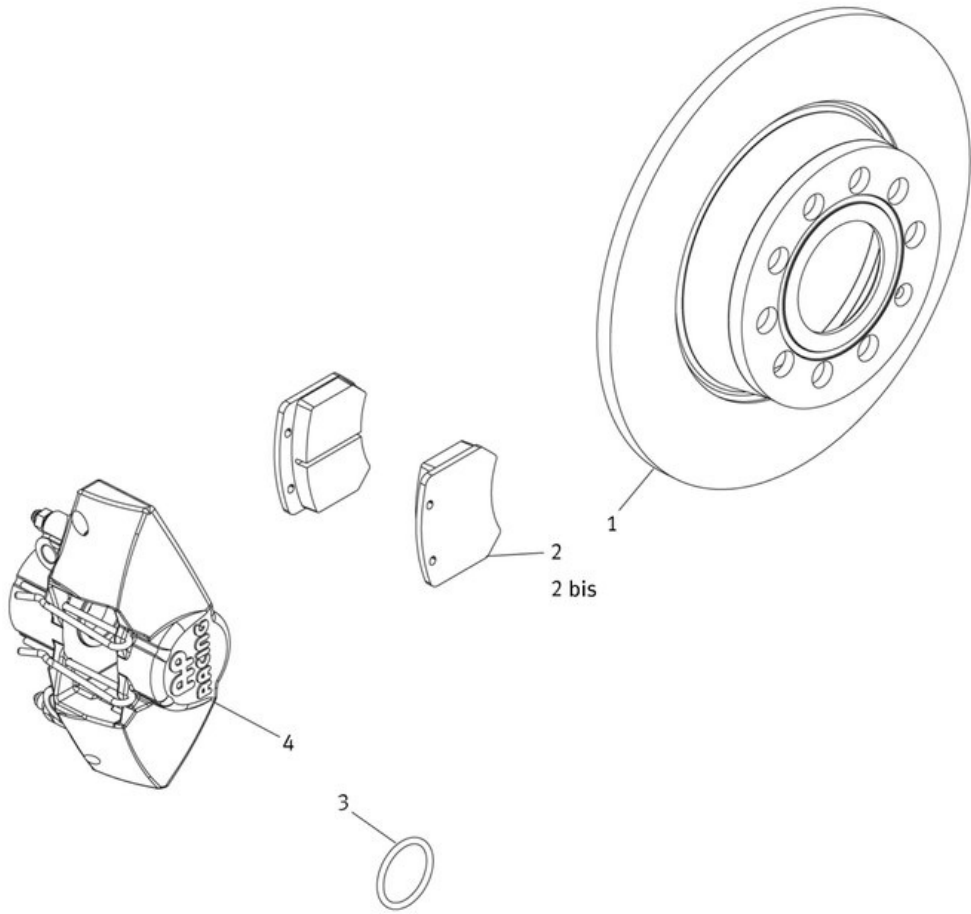
WHEEL

Pos.	Reference	Description	Qty.
1	8V6601025	ALLOY WHEEL 18"x10" ET 36 WITH STICKER	4
2	V131407150	WHEEL NUT M14x1,5	20
N/D	8V6010530	WHEEL STICKER	4

FRONT BRAKE

Pos.	Reference	Description	Qty.
01	8S6614339	SET OF BOBINS FOR PAGID DISC	2
02	8S6615301A	FRONT BRAKE DISC PAGID 378x34	1
02bis	8S6615302A	FRONT BRAKE DISC PAGID 378x34	1
03	8S6615329	BRAKE HAT	2
04	5F6615105A	BRAKE CALIPER FRONT LEFT	1
04bis	5F6615106A	BRAKE CALIPER FRONT RIGHT	1
05	5F6698471	SET OF GASKETS OF REPAIR	2
06	5F6615115E	FRONT BRAKE PADS SET PAGID RST1 OLD REFERENCE 5F6615115B	1
06bis	5F6615115	SET OF FRONT BRAKE PADS PAGID RST3 STANDARD DELIVERY OPTION	1
06bis3	5F6615115A	SET OF FRONT BRAKE PADS PAGID RSL2	1
A	5F6615297C	COMPLETE LEFT FRONT BRAKE DISC Ã~378X34	1
A bis	5F6615298C	COMPLETE RIGHT FRONT BRAKE DISC Ã~378X34	1
N/D	5F6615119	HEAT ISOLATION PLATE	1

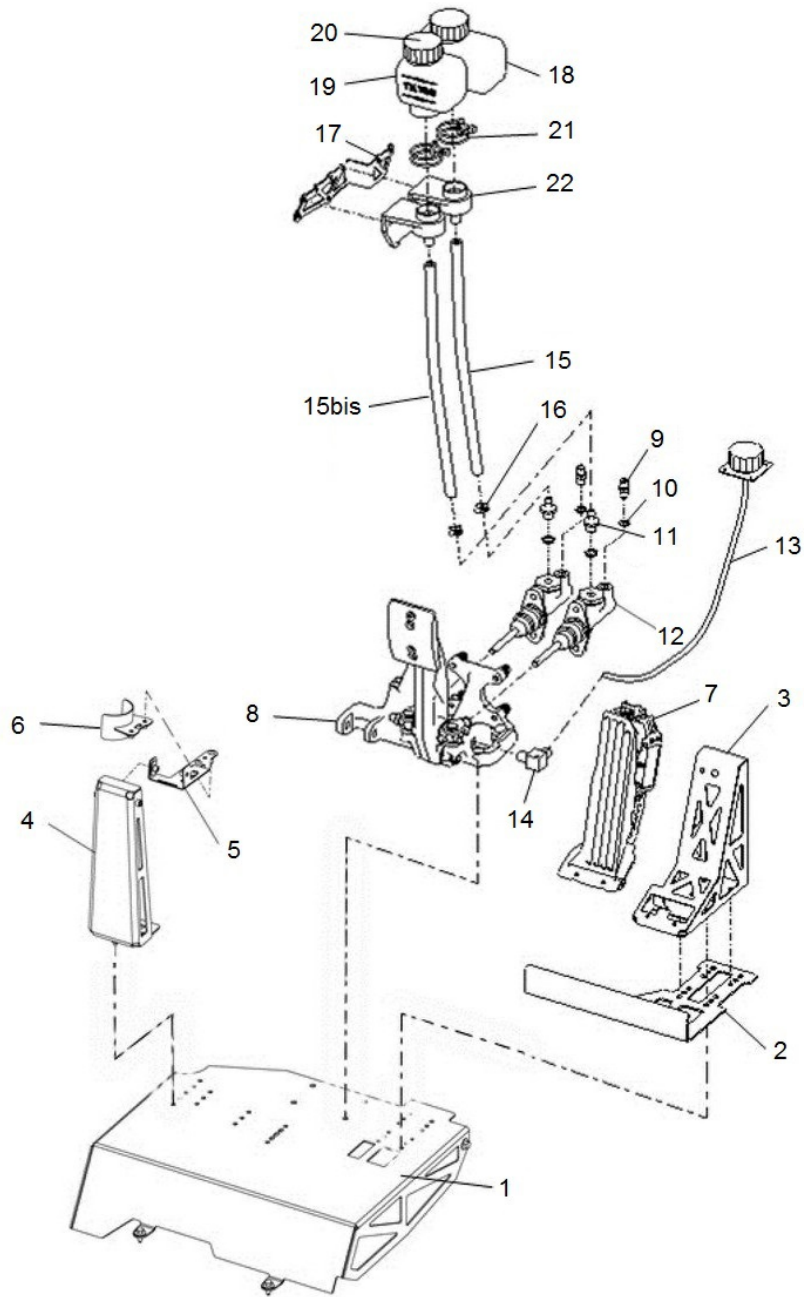
REAR BRAKE



REAR BRAKE

Pos.	Reference	Description	Qty.
01	_5Q0615601D	REAR BRAKE DISC 272x10 15"	2
3	V131614712	SET OF BRAKE CALIPER REPAIR KIT	2
4	V2MT615407	AP REAR BRAKE CALIPER	2

PEDALS & MASTER CYLINDERS

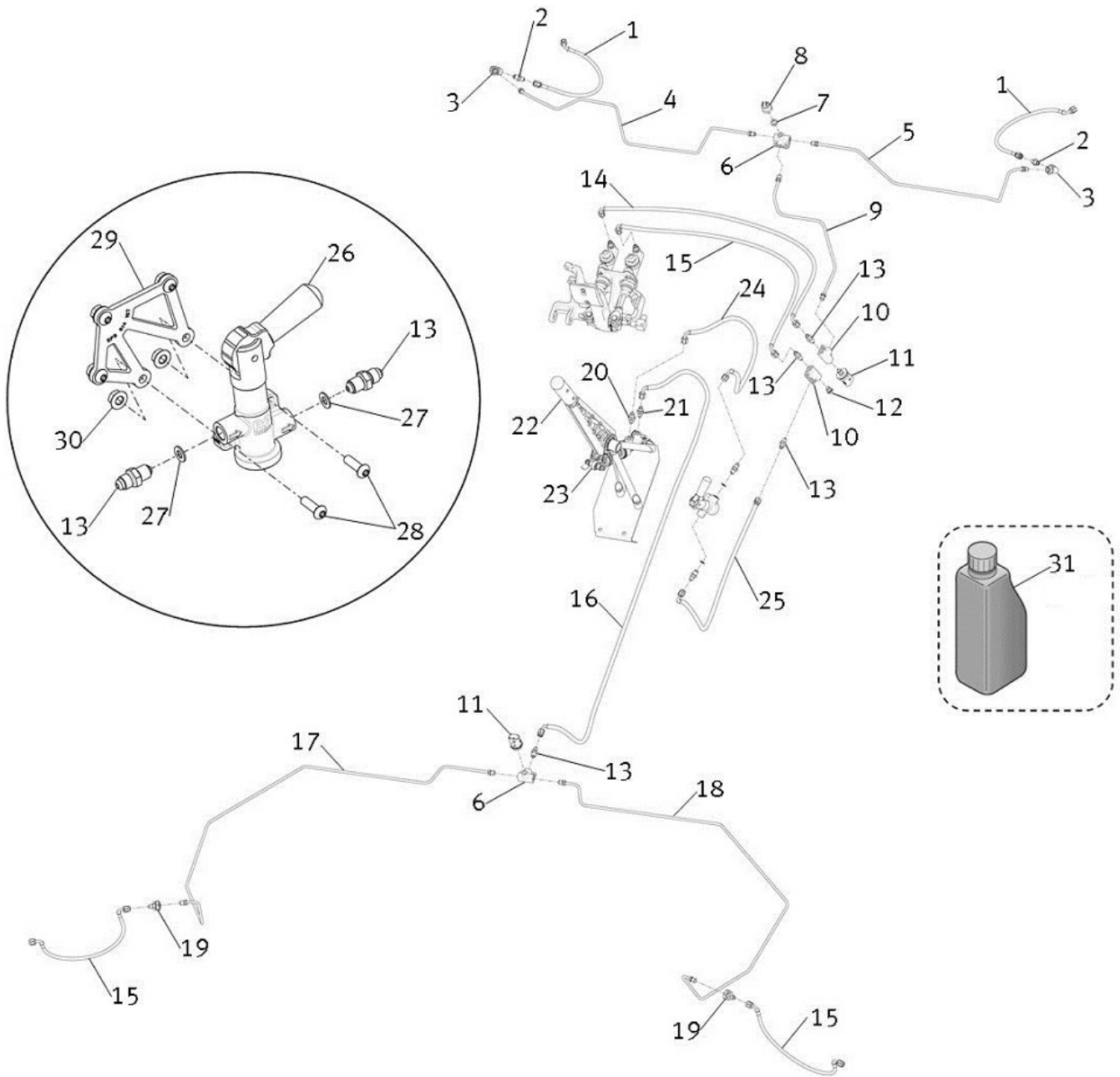


PEDALS & MASTER CYLINDERS

Pos.	Reference	Description	Qty.
01	5F6721221	SUPPORT -FOOTREST-	1
02	V3FL864787A	FOOT STOPPER	1
03	5F6721532	BRACKET, STOP -15°-	1
04	5F6864415B	LEFT FOOTREST BASE -LR-	1
05	5F6721096B	LEFT FOOTREST REGULATION SUPPORT -LR-	1
06	5F6804583B	REGULATION SUPPORT PLATE	1
07	5F6721503	THROTTLE PEDAL	1
08	V3FL721060	BRAKE PEDAL ASSEMBLY	1
09	VN0005143500	MALE-MALE ADAPTOR 03D-03D ZN.	2
10	VN0002341600	COPER WASHER Ã~10X16X1mm DIN7603	2
11	V3FL614213	MASTER CYLINDER ADAPTER PUSH-ON	2
12	V3FL614165B	MASTER CYLINDER AP 16.8 MM	1
12bis	V3FL614165C	MASTER CYLINDER AP 17.8 MM	1
12bis2	V3FL614165D	MASTER CYLINDER AP 19.1 MM STANDARD DELIVERY OPTION (without ABS)	1
12bis3	V3FL614165E	MASTER CYLINDER AP 20.6 MM	1
12bis4	V3FL614165F	MASTER CYLINDER AP 22.2 MM STANDARD DELIVERY OPTION (Rear brake)	1
12bis5	V3FL614165G	MASTER CYLINDER AP 23.8 MM	1
12bis6	5F6614165F	MASTER CYLINDER AP 17.8 MM (ABS)	1
12bis7	5F6614165G	MASTER CYLINDER AP 22.2 MM (ABS)	1
13	V3FL612191	BRAKE REGULATION CABLE	1
14	V3FL721597	BRAKE CABLE ADAPTOR	1
15	5F6721477	BRAKE AND CLUTCH FLUID HOSE - 650MM	1
15bis	5F6721477A	BRAKE AND CLUTCH FLUID HOSE - 700MM	2
16	VN0004008200	CLAMP 9X16	2
17	V3FL616141A	STEEL SUPPORT BRAKE LIQUID TANK	1
18	V8PS611307A	BRAKE LIQUID TANK SUPPORT (BIG)	1
19	V4PL611307	BRAKE LIQUID TANK SUPPORT (MEDIUM)	1
20	V013617003	BRAKE LIQUID TANK CAP	2

Pos.	Reference	Description	Qty.
21	V013617004	BRAKE LIQUID TANK CAP	2
22	V4PL611319	BRAKE LIQUID TANK SUPPORT (PLASTIC)	1
N/D	8V6721160	KIT PEDAL-SLIDER Please, contact Audi Sport Customer racing	1

BRAKE CIRCUIT

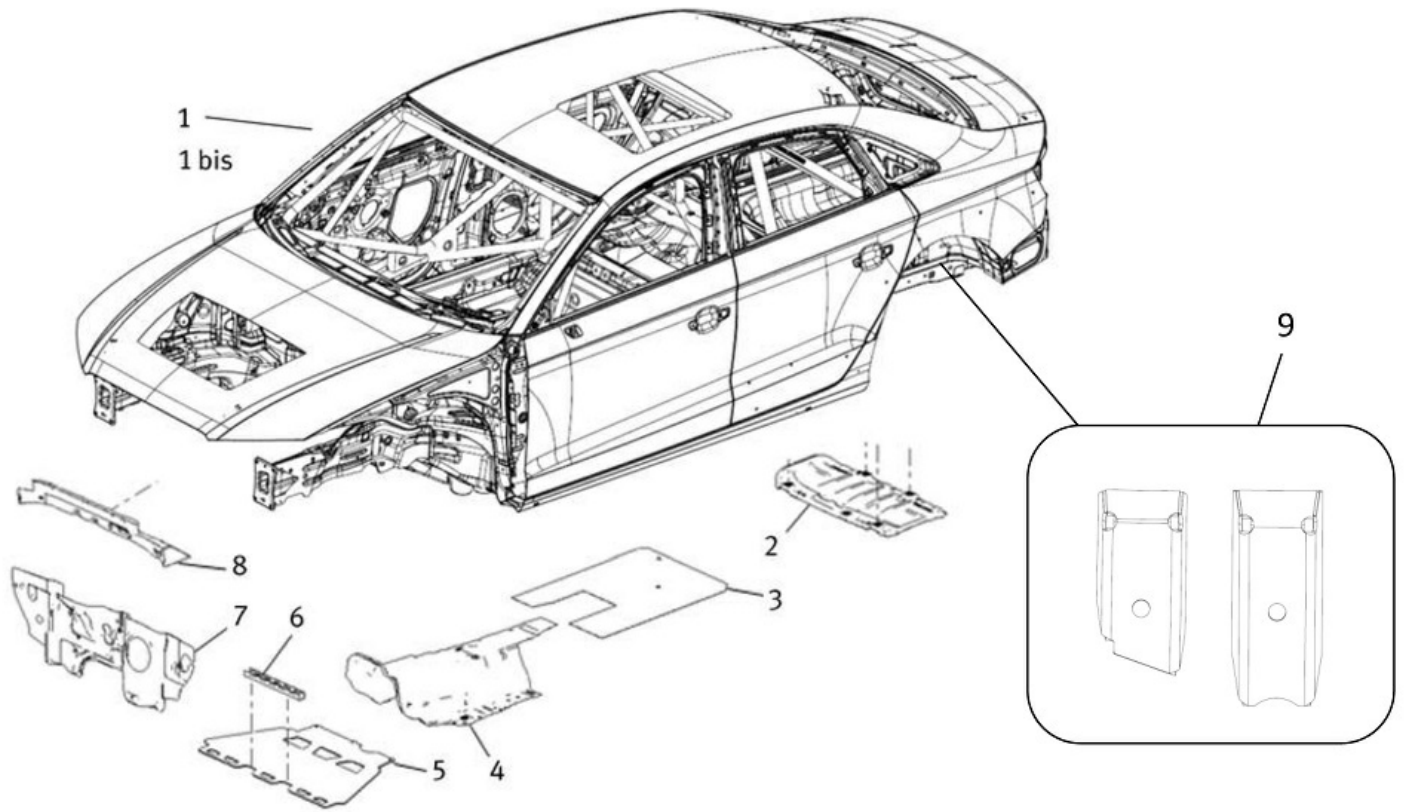


BRAKE CIRCUIT

Pos.	Reference	Description	Qty.
01	5F6611701A	FRONT BRAKE HOSE	2
02	VN0005143500	MALE-MALE ADAPTOR 03D-03D ZN.	2
03	5F6611729	BULKHEAD 90° M10X1-03D	2
04	5F6614723	FRONT LEFT BRAKE TUBE INT.	1
05	5F6614724	FRONT RIGHT BRAKE TUBE INT.	1
06	VN0005110300	X DISTRIBUTOR	2
07	VN0002341500	COPPER WASHER 10X16 DIN7603	1
08	_113945515H	BRAKE LIGHT SWITCH SENSOR	1
09	V3FL614725	FROM T TO T SENSOR BRAKE HOSE	1
10	VN0005185400	T RACCORD M10X100	2
11	_06J906051C	PRESSURE SENSOR 140 BARS	2
12	_N_90281802	DRAVI PLUG M10X1X10-S21	1
13	_6KL611315	MALE-MALE ADAPTOR M10X1 -03D STEEL	6
14	5F6611707	BRAKE HOSE	1
15	V8PS611775	BRAKE HOSE	3
16	5F6711984	PRESSURE HOSE -PUMP TO REAR BRAKE T-	1
17	V3FL614729	LEFT REAR BRAKE TUBE	1
18	V3FL614730	RIGHT REAR BRAKE TUBE	1
19	VN0005174800	CABLE SLEEVE (M/H) 03D-M10X1	2
20	VN0005176000	ADAPTER MALE 03D 1/2" MALE 7/16#-20 UNF	1
21	VN0005175700	ADAPTER MALE 03D - MALE 03D	1
22	5F6711014	HANDBRAKE ASSY WITHOUT BRAKE HOSE <small>Parts number 20, 21 and 23 included</small>	1
23	5F6611021B	HAND BRAKE PUMP 15,9	1
24	5F6711996	PRESSURE HOSE -REGULATOR VALVE TO PUMP-	1
25	5F6711983A	PRESSURE HOSE -BRAKE T TO PUMP-	1
26	5F6612151	7P PROPORTIONING VALVE BRAKE	1
27	VN0002260100	ALUMINIUM WASHER 10 X 14 X 1,5	2
28	VN0001915588	ALLEN BOLT M6X20	2

Pos.	Reference	Description	Qty.
29	5F6614167	PROPORTIONING VALVE BRACKET	1
30	VN0003130325	NUT BI. 8.8 M6 DIN6923	2
31	8S6611313	RAVENOL RACING BRAKE FLUID R325+ (0,5 L) PLEASE, CONTACT YOUR LOCAL RAVENOL DISTRIBUTOR	1

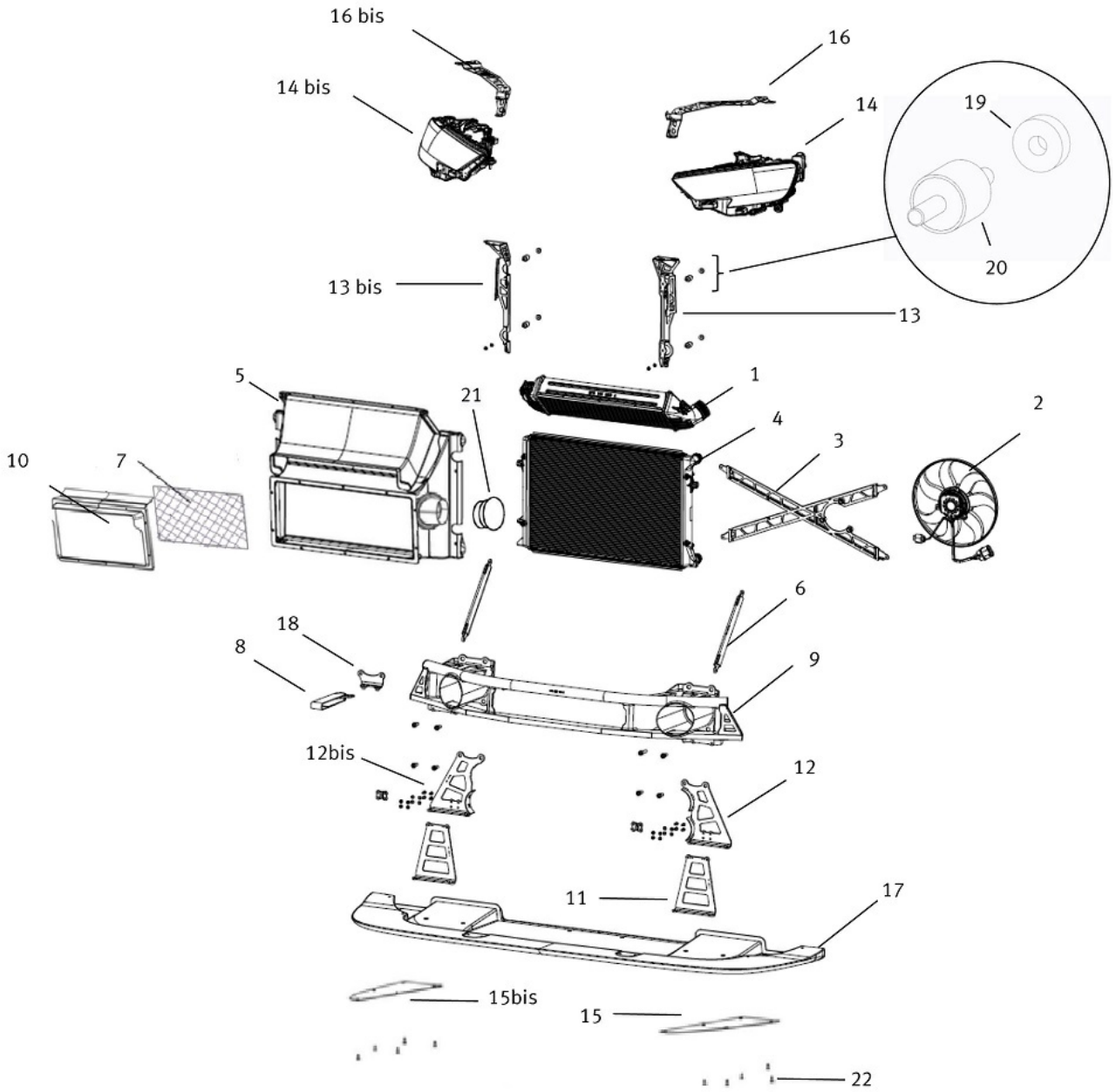
BODY



BODY

Pos.	Reference	Description	Qty.
01	8V6800400	BODY PAINTED Please, contact CUPRA Racing (Price = 21.315 â,,-). We reserve the right to reject the picking up of the bodysHELLS if the transport provided by the customer is not the proper one.	1
01bis	8V6800403	BODY KTL (ROLLBAR & DOORS) Please, contact CUPRA Racing (Price = 18.900 â,-). We reserve the right to reject the picking up of the bodysHELLS if the transport provided by the customer is not the proper one.	1
02	_5Q0825701C	UNDERBODY TRIM	1
03	8V6825662	HEAT SHIELD FOR TUNNEL	1
04	V3FL825661	HEAT SHIELD FOR TUNNEL	1
05	8V6825237	SUMPGUARD	1
06	V3FL825291B	OIL SUMP PROTECTION SUPPORT	1
07	_5Q1863353H	COUPLING ROD	1
08	_8V0863993D	PLENUM PANEL	1
09	5F6898191	REINFORCEMENT KIT REAR DAMPER MOUNTING	1

FRONTEND



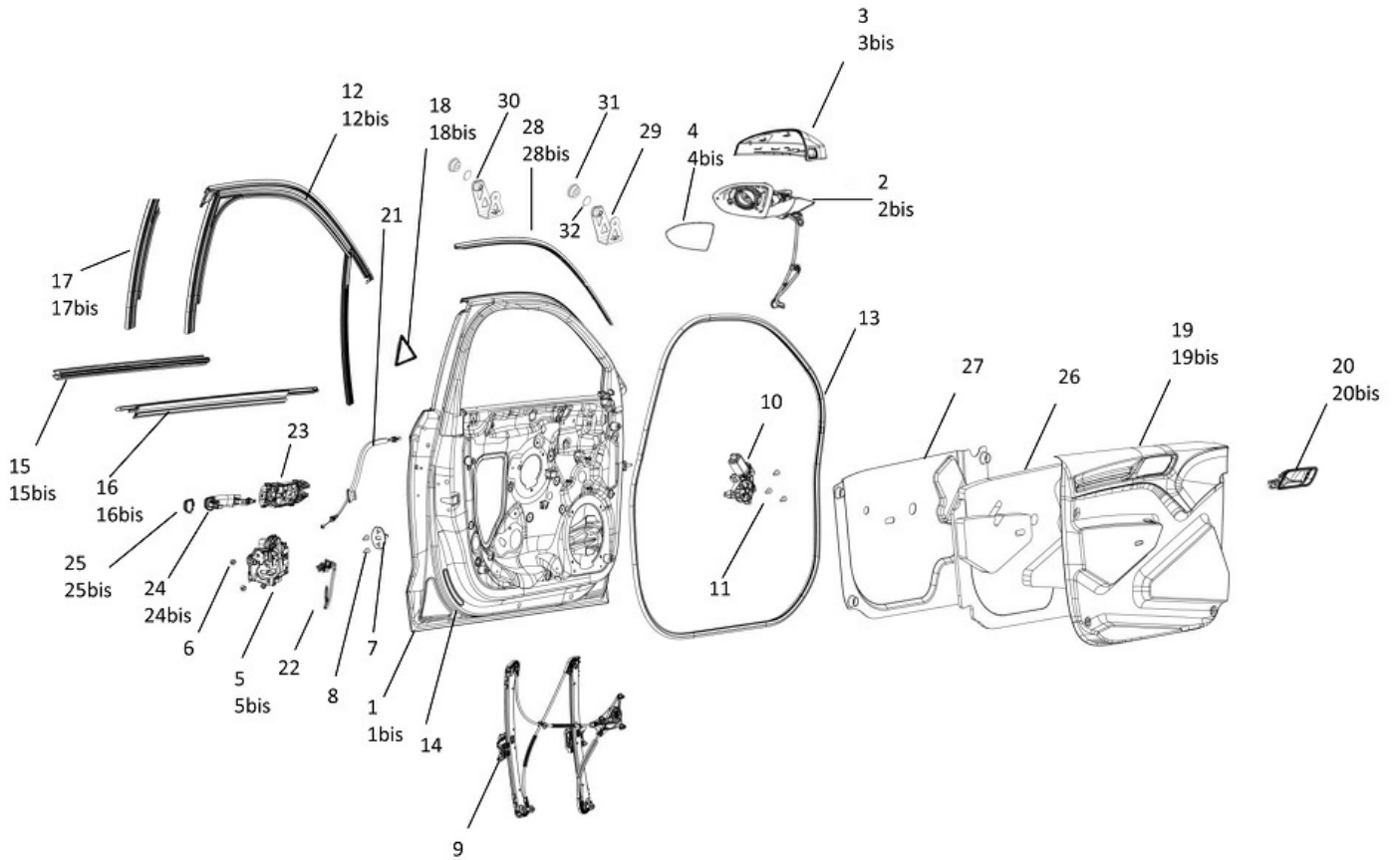
FRONTEND

Pos.	Reference	Description	Qty.
01	5F6145803A	INTERCOOLER	À 1
02	_1K0959455FR	RADIATOR FAN Ã~360MM 300W	1
03	5F6121207A	FAN SUPPORT	1
04	5F6190251	RADIATOR OLD REFERENCE 5F6121251	1
05	5F6805594A	RADIATOR INTERCOOLER DUCT	1
06	5F6807182	CLIP ANGLE	2
07	8V6853667	RADIATOR GRILLE	1
08	5F6803611B	TOWING EYE AV/AR WITH SAFETY BELT OLD REFERENCE 5F6803611	1
09	5F6807109C	ENDURANCE BUMPE BAR, FRONT	1
10	5F6805598	PLASTIC FRONT-END	1
11	5F6807203C	STRUT	2
12	5F6807201	REAR SPLITTER SUPPORT	1
12bis	5F6807202	REAR SPLITTER SUPPORT	1
13	8V6805323A	RADIATOR SUPPORT PART NOT LONGER AVAILABLE	1
13bis	8V6805324A	RADIATOR SUPPORT PART NOT LONGER AVAILABLE	1
14	8V6941033	LEFT LED HEADLIGHT	1
14bis	8V6941034	RIGHT LED HEADLIGHT	1
15	5F6807531	LOWER SPLITTER PROTECTION	1
15bis	5F6807532	LOWER SPLITTER PROTECTION	1
16	8V6805605	HEADLAMP MOUNTING	1
16bis	8V6805606	HEADLAMP MOUNTING	1
17	8S6807061	SPLITTER	1
18	5F6803729A	EXTENSION	1
19	5F6805355	RADIATOR SILENBLOCK SPACER	4
20	VN0008086000	SILENBLOCK CYL. DOUBLE THREAD 20X20XM6	4
21	VN0008146700	BLACK PLUG D90	1
22	VN0001819439	ALLEN BOLT PAV.12.9 M6X16 DIN7991	10
A	8V6800723A	FRONTEND PRE-ASSEMBLY INCLUDES REFERENCES 2,3,4,5,7,10 & 13	1

□

Pos.	Reference	Description	Qty.
N/D	8V6805603	HEADLIGHTS REAR SUPPORT	1
N/D2	8V6805604	HEADLIGHTS REAR SUPPORT	1

FRONT DOORS

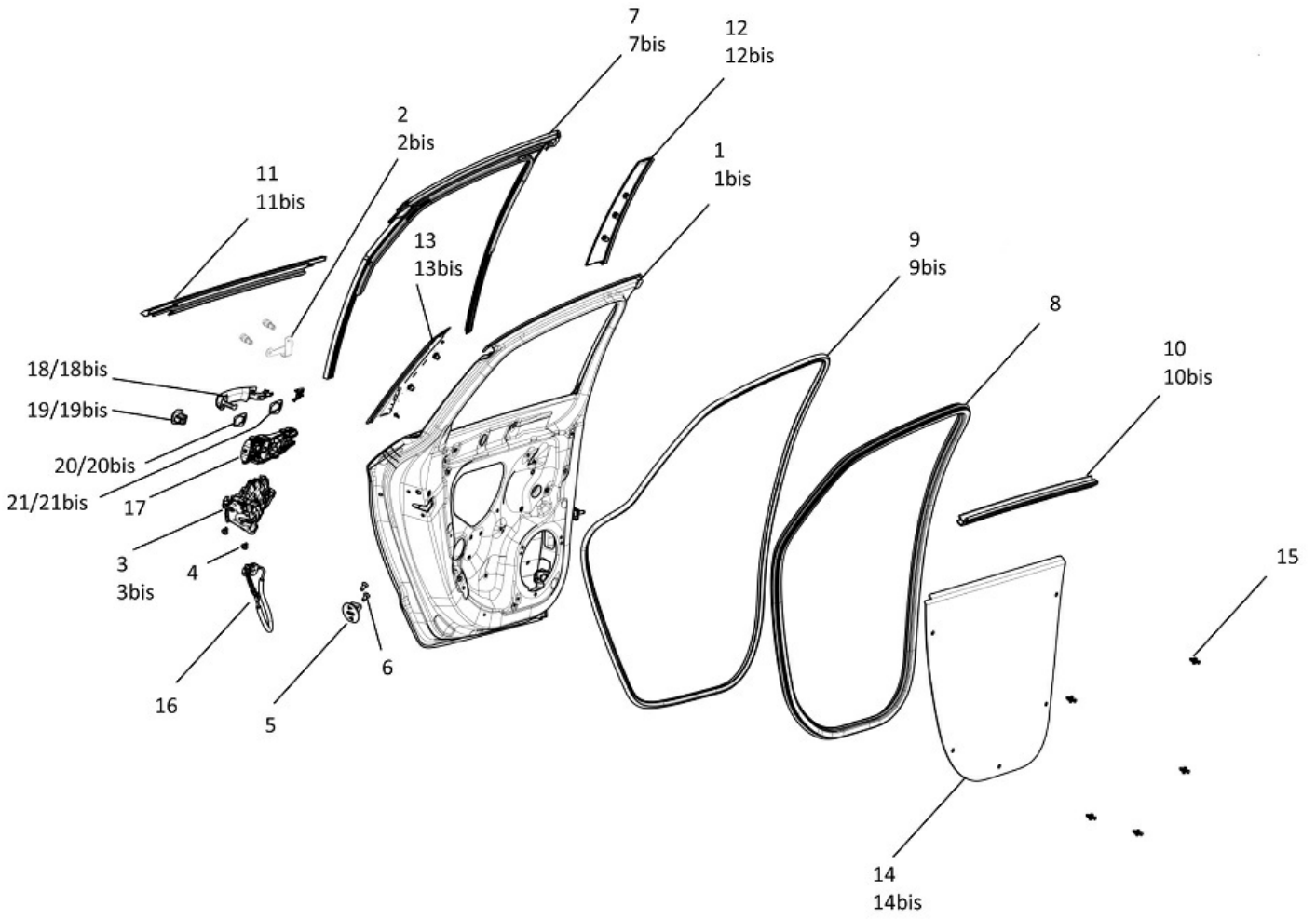


FRONT DOORS

Pos.	Reference	Description	Qty.
01	8V6831041	MODIFIED FRONT LEFT DOOR WITH HINGES	1
01bis	8V6831042	MODIFIED FRONT RIGHT DOOR WITH HINGES	1
02	_8V5857409Q9B9	EXTERIOR MIRROR LEFT ORIGINAL PART - CONTACT WITH A LOCAL DEALER	1
02bis	_8V5857410S9B9	EXTERIOR MIRROR RIGHT ORIGINAL PART - CONTACT WITH A LOCAL DEALER	1
03	_8V0857527DZ7G	MIRROR HOUSING	1
03bis	_8V0857528DZ7G	MIRROR HOUSING	1
04	_8V0857535E	EXTERIOR MIRROR GLASS	1
04bis	_8V0857536E	EXTERIOR MIRROR GLASS	1
05	_8X1837015C	DOOR LOCKER	1
05bis	_8X1837016C	DOOR LOCKER	1
06	_WHT003348	BOLT M8X14	4
07	_3C0837767B	STRIKER	2
08	_N_91017402	XZN BOLT M8X22	4
09	_8V4837461	LIFTING MECHANISM	1
10	_5Q0959801B	LEFT WINDOR REGULATOR MOTOR	1
11	_8Z0837691C	REGULATION MOTOR FIXATION BOLT	3
12	_8V5837431B	FRONT UPPER WINDOW GUIDE LEFT	1
12bis	_8V5837432B	FRONT UPPER WINDOW GUIDE RIGHT	1
13	_8V5831721	DOOR SEAL INTERIOR	2
14	_8V5837911B	DOOR SEAL LEFT	1
14bis	_8V5837912C	DOOR SEAL RIGHT	1
15	_8V5837479	FRONT WINDOW INTERIOR SEAL LEFT	1
15bis	_8V5837480	FRONT WINDOW INTERIOR SEAL RIGHT	1
16	_8V5853283AT94	MOULDING FRONT DOOR	1
16bis	_8V5853284AT94	MOULDING FRONT DOOR	1
17	_8V5837901B5FQ	TRIM	1
17bis	_8V5837902B5FQ	TRIM	1
18	_8V5837637A5FQ	FRONT DOOR TRIANGULAR TRIM LEFT	1

Pos.	Reference	Description	Qty.
18bis	_8V5837638A5FQ	FRONT DOOR TRIANGULAR TRIM RIGHT	1
19	8V6867011	DOOR PANEL TRIM ASSEMBLY PART NUMBER 20 INCLUDED	1
19bis	8V6867012	DOOR PANEL TRIM ASSEMBLY PART NUMBER 20bis INCLUDED	1
20	_8V3837019A4PK	FRONT DOOR INNER HANDLE LEFT	1
20bis	_8V3837020A4PK	FRONT DOOR INNER HANDLE RIGHT	1
21	_8V4837085E	HANDLE INNER CABLE BOWDEN FRONT DOOR	2
22	_5N0837017D	BOWDEN CABLE	2
23	_8V0839885	MOUNTING BAR PASSENGER SIDE	2
24	_8V0837205AGRU	LEFT DOOR HANDLE	1
24bis	_8V0837206AGRU	RIGHT DOOR HANDLE	1
25	_8V0837167BGRU	LEFT BLIND HANDLE COVER	1
25bis	_8V0837168BGRU	RIGHT BLIND HANDLE COVER	1
26	8V6867129	FOAM DOOR COVERING	1
27	8V6867197	COVER	1
28	_8V5837643AT94	STRIP	1
28bis	_8V5837644AT94	STRIP	1
29	8V6845138A	CO-DRIVER WINDOW FRONT SUPPORT	1
30	8V6845138B	CO-DRIVER WINDOW REAR SUPPORT	1
31	8V6845155	CO-DRIVER WINDOW BUSH	2
32	VN0002502900	O-RING 15X2,5	2
N/D	_8V0837277	LEFT HANDLE BASE REAR	1
N/D bis	_8V0837278	RIGHT HANDLE BASE REAR	1
N/D2	_8V0837209	LEFT HANDLE BASE FRONT	1
N/D2 bis	_8V0837210	RIGHT HANDLE BASE FRONT	1

REAR DOORS

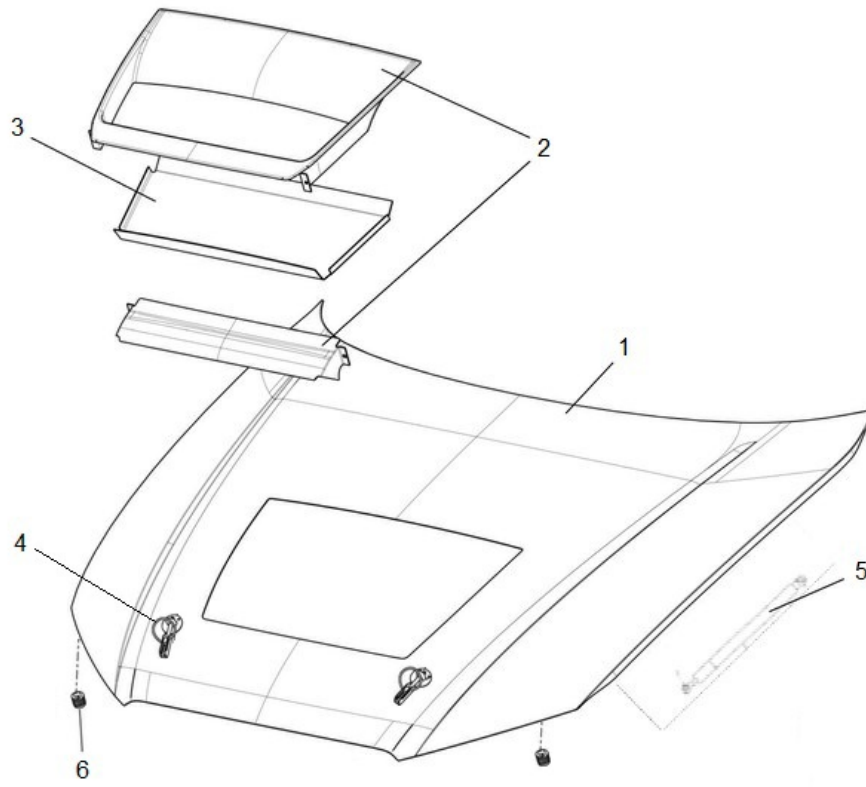


REAR DOORS

Pos.	Reference	Description	Qty.
01	8V6833041	MODIFIED REAR LEFT DOOR WITH HINGES	1
01BIS	8V6833042	MODIFIED REAR RIGHT DOOR WITH HINGES	1
02	8V6845137A	REAR WINDOW GLASS SUPPORT ASSY.	1
02BIS	8V6845138C	REAR WINDOW GLASS SUPPORT ASSY.	1
03	_4G0839015E	DOOR LOCK (LEFT REAR)	1
03BIS	_4G0839016E	DOOR LOCK (RIGHT REAR)	1
04	_WHT003348	BOLT M8X14	4
05	_3C0837767B	STRIKER	2
06	_N_91017402	XZN BOLT M8X22	4
07	_8V5839431D	WINDOW GUIDEÂ LEFT ORIGINAL PART - CONTACT WITH A LOCAL DEALER	1
07BIS	_8V5839432D	WINDOW GUIDEÂ RIGHT ORIGINAL PART - CONTACT WITH A LOCAL DEALER	1
08	_8V5833721	DOOR SEAL	2
09	_8V5839911B	DOOR SEAL (LEFT OUTER)	1
09BIS	_8V5839912C	DOOR SEAL (RIGHT OUTER)	1
10	_8V5839479	WINDOW APERTURE SEAL (LEFT INNER)	1
10BIS	_8V5839480	WINDOW APERTURE SEAL (RIGHT INNER)	1
11	_8V5853763AT94	WINDOW APERTURE SEAL (LEFT OUTER)	1
11BIS	_8V5853764AT94	WINDOW APERTURE SEAL (RIGHT OUTER)	1
12	_8V5839901B5FQ	TRIM FOR DOOR WINDOW FRAME	1
12BIS	_8V5839902B5FQ	TRIM FOR DOOR WINDOW FRAME	1
13	_8V5839903B5FQ	TRIM (LEFT OUTER)	1
13BIS	_8V5839904B5FQ	TRIM (RIGHT OUTER)	1
14	8V6867303	DOOR PANEL TRIM ASSEMBLY	1
14BIS	8V6867304	DOOR PANEL TRIM ASSEMBLY	1
15	_5P0810997	BUNG	12
16	_5N0837017D	BOWDEN CABLE	2
17	_8V0839885	MOUNTING BAR PASSENGER SIDE	2
18	_8V0837205AGRU	LEFT DOOR HANDLE	1

Pos.	Reference	Description	Qty.
18BIS	_8V0837206AGRU	RIGHT DOOR HANDLE	1
19	_8V0837167BGRU	LEFT BLIND HANDLE COVER	1
19BIS	_8V0837168BGRU	RIGHT BLIND HANDLE COVER	1
20	_8V0837277	LEFT HANDLE BASE REAR	1
20BIS	_8V0837278	RIGHT HANDLE BASE REAR	1
21	_8V0837209	LEFT HANDLE BASE FRONT	1
21BIS	_8V0837210	RIGHT HANDLE BASE FRONT	1
N/D	_8V5839643AT94	STRIP	1
N/D2	_8V5839644AT94	STRIP	1

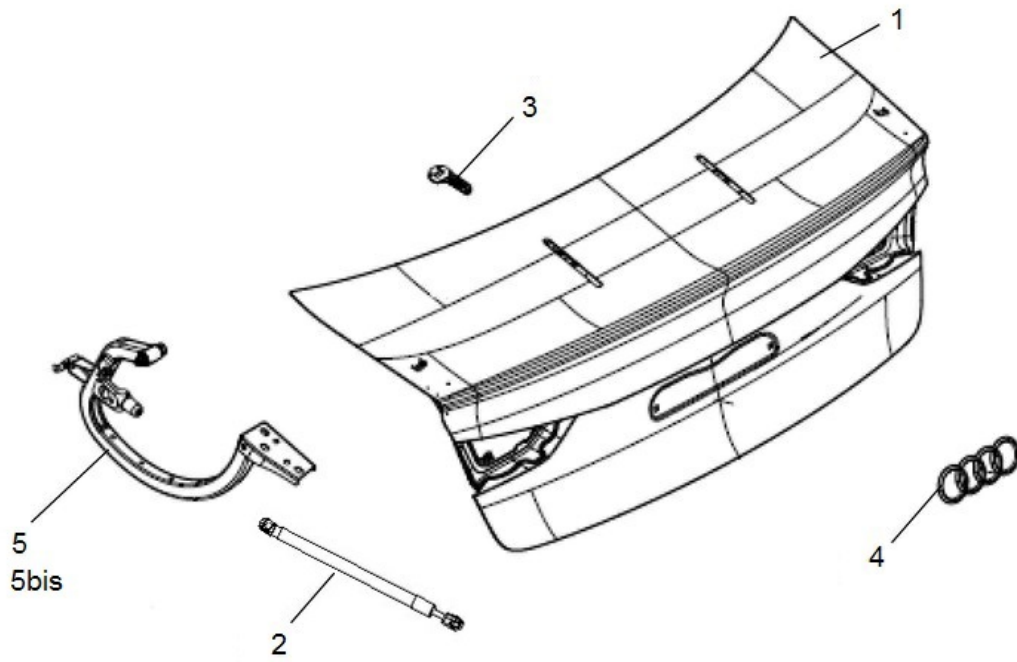
BONNET



BONNET

Pos.	Reference	Description	Qty.
01	8V6823019	MODIFIED BONNET WITH HINGES	1
02	8V6805941	AIR DEFLECTOR	1
03	8V6823087	BONNET AIR DUCT MESH	1
04	V2LL823025A	BONNET SECURITY LOCK OLD REFERENCE 8V6823480	1
05	_8V0823359	GAS SRPING	1
06	_4B0823481	BUMP STOP	2

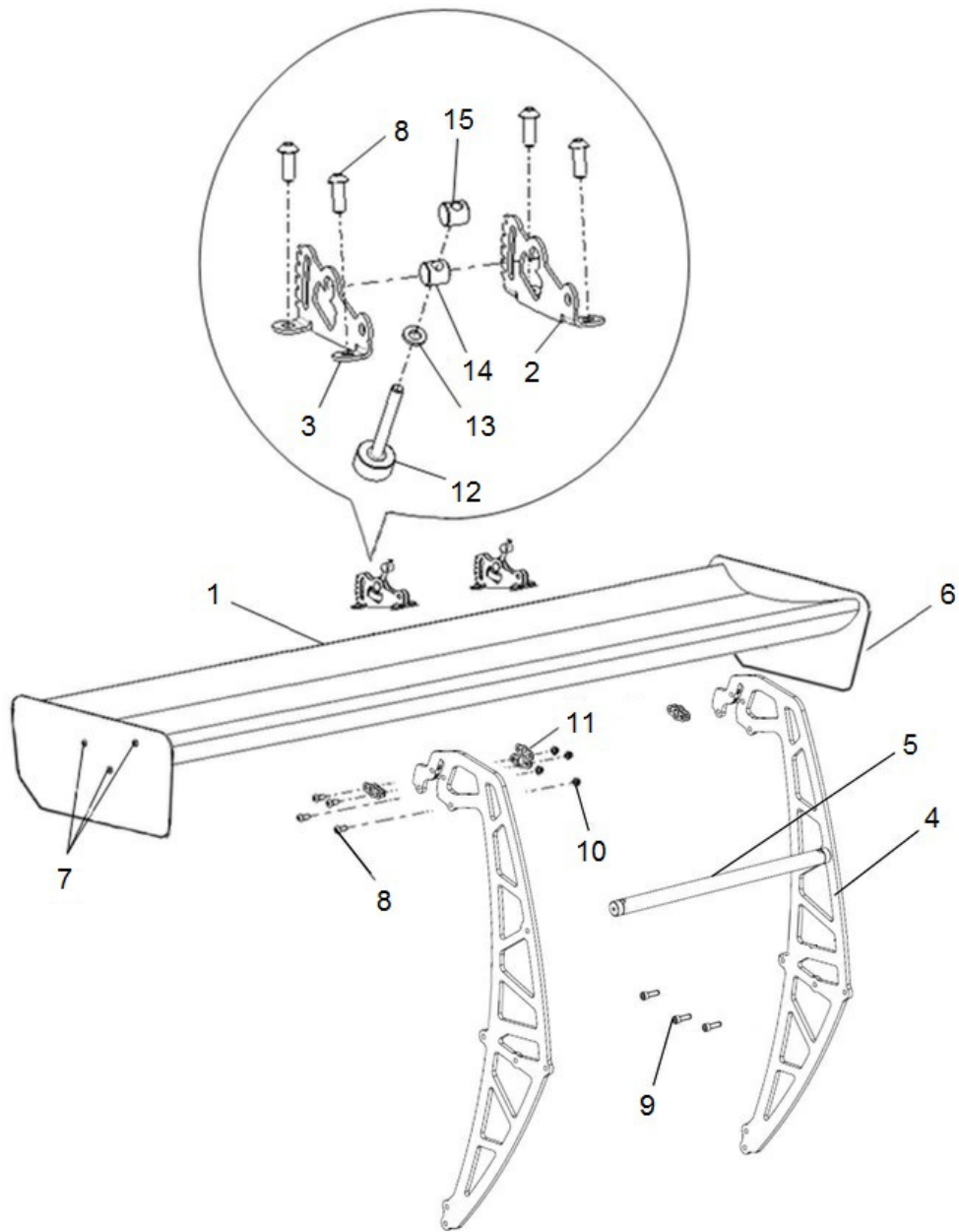
BOOT LID



BOOT LID

Pos.	Reference	Description	Qty.
01	8V6827025	MODIFIED BOOT LID	1
02	_8V0823359	GAS SRPING	1
03	V2LL823025A	BONNET SECURITY LOCK OLD REFERENCE 8V6827461	1
04	_8V7853742	TYPE SIGN	1
05	8V6827301	LEFT HINGE MODIFIED BOOT LID	1
05bis	8V6827302	RIGHT HINGE MODIFIED BOOT LID	1
N/D	_8V5827705E	COVER SEAL	1
N/D2	8V6071780A	ADHESIVE -REAR DOOR WING SEAL-	2

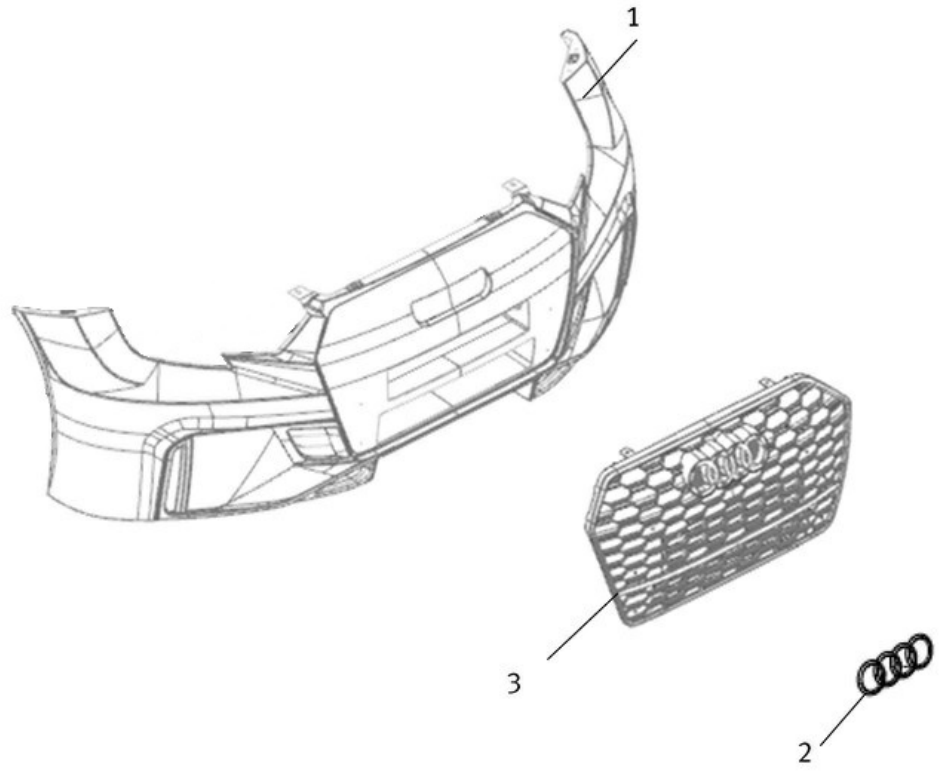
REAR WING



REAR WING

Pos.	Reference	Description	Qty.
01	5F6827936B	REAR SPOILER INCLUDES REFERENCES 6 & 7. OLD REFERENCE 5F6827936A	1
02	5F6827993	REAR WING FIXATION PLATE LEFT	2
03	5F6827994	REAR WING FIXATION PLATE RIGHT	2
04	8V6827757D	REAR WING SUPPORT	2
05	5F6827141	SPOILER REINFORCEMENT ASSY.	1
06	8S6827867B	LATERAL CAP	2
07	VN0001813586	ALLEN BOLT M4X20	6
08	VN0001915488	ALLEN BOLT M6X16	16 (8+8)
09	VN0001915588	ALLEN BOLT M6X20	12
10	VN0003220400	CADMIUM AVIATION NUT 6C M6	8
11	5F6827970A	PIN GUIDE	4
12	V3FL827967	REAR WING REGULATION BOLT ASSY.	2
13	VN0002000710	WASHER ~6X~12X1.6	2
14	V3FL827968	UPPER SUPPORT REAR WING	2
15	V3FL827969	REGULATION PIN	2

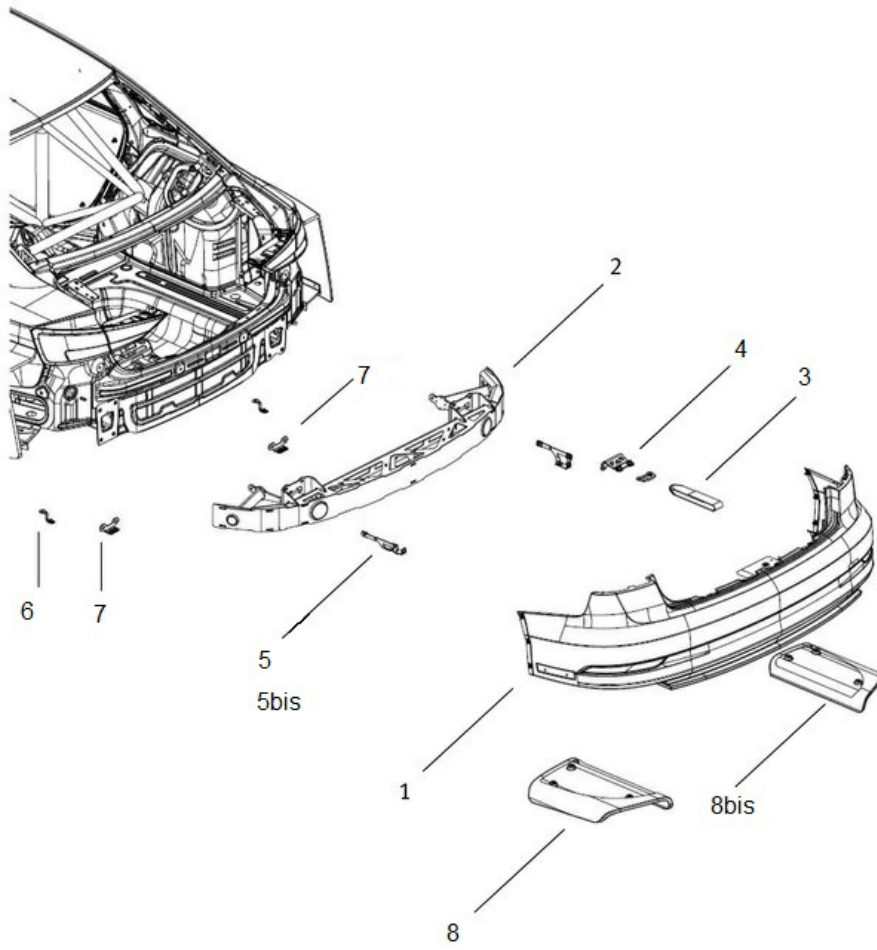
FRONT BUMPER



FRONT BUMPER

Pos.	Reference	Description	Qty.
01	8V6807101AGRU	FRONT BUMPER	1
02	_8T0853605	AUDI LOGO	1
03	8V6853651	RADIATOR GRILLE	1
N/D	8V6807680	AIR DUCT GRILLE	1

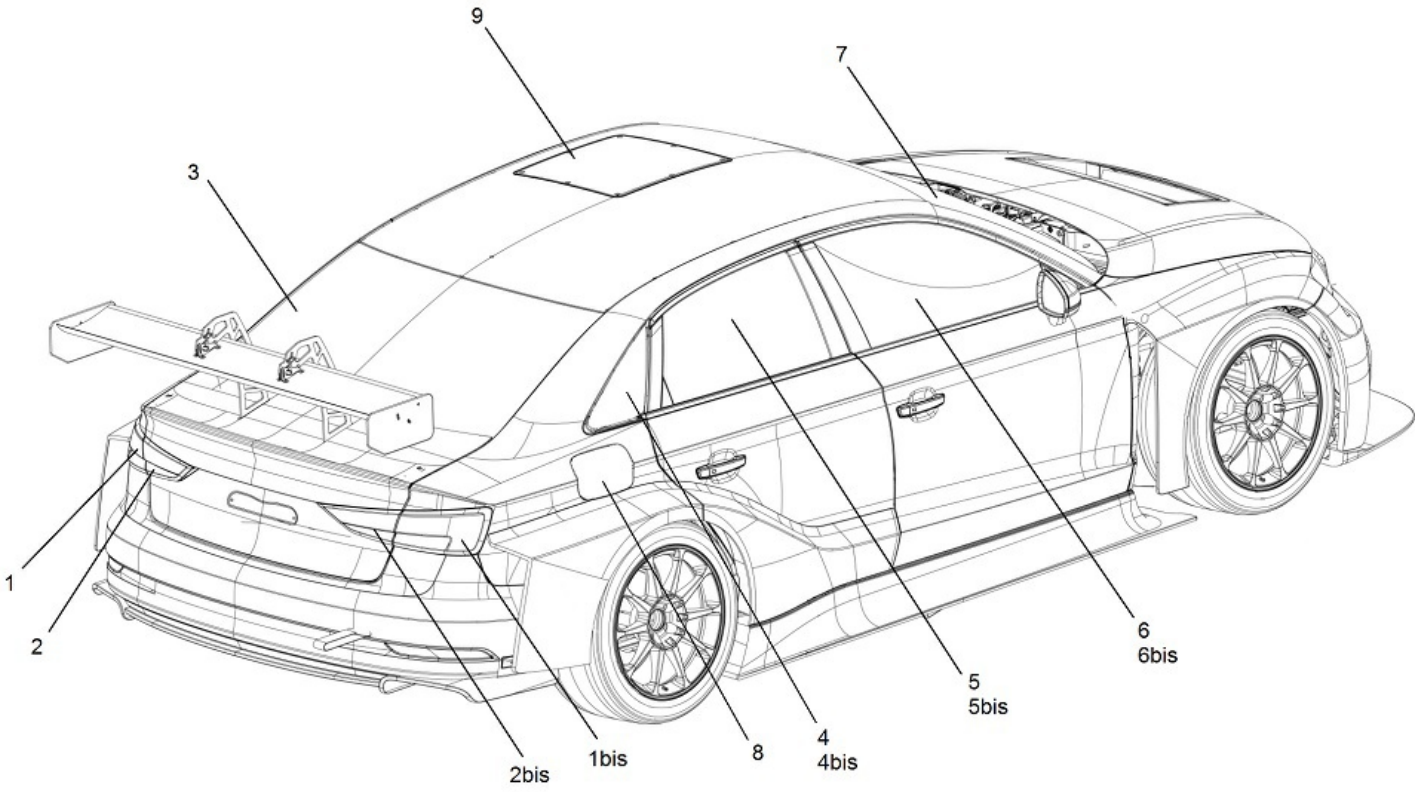
REAR BUMPER



REAR BUMPER

Pos.	Reference	Description	Qty.
01	8V6807511AGRU	REAR BUMPER	1
02	8V6807305	BUMPER BAR, REAR	1
03	5F6803611B	TOWING EYE AV/AR WITH SAFETY BELT OLD REFERENCE 5F6803729	2
04	8V6803729	REAR TOWING EYE ADAPTER	1
05	8V6807325	REINFORCEMENT -REAR BUMPER BAR FIXAT-	1
05bis	8V6807326	REINFORCEMENT -REAR BUMPER BAR FIXAT-	1
06	8V6825331B	REAR BUMPER SUPPORT	2
07	8V6807773D	REAR BUMPER SUPPORT	2
08	8V6807363	DIFUSSER END PLATE	1
08bis	8V6807364	DIFUSSER END PLATE	1
N/D	_8V0898173	REAR BUMPER FIXATION KIT	1

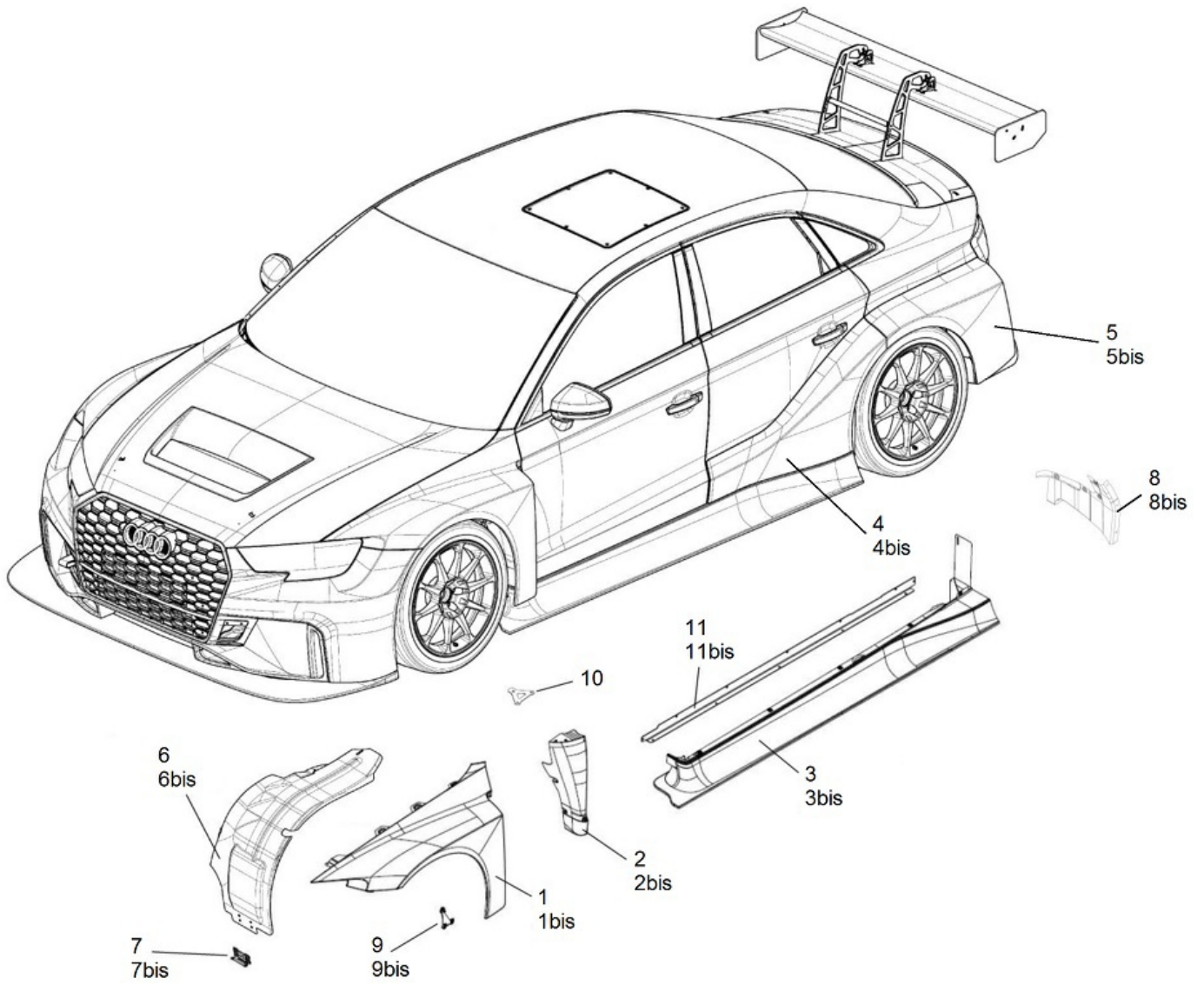
BODY FINISHING 1



BODY FINISHING 1

Pos.	Reference	Description	Qty.
01	_8V5945091	LEFT OUTER LED TAIL LIGHT Original part Contact with your local dealer	1
01bis	_8V5945092	RIGHT OUTER LED TAIL LIGHT Original part. Contact with your local dealer	1
02	_8V5945093D	MOBILE REAR PILOT Original part. Contact with your local dealer	1
02bis	_8V5945094D	MOBILE REAR PILOT Original part. Contact with your local dealer	1
03	8V6845501	REAR WINDOW	1
04	8V6845297	LEFT FIXED WINDOW	1
04bis	8V6845298	RIGHT FIXED WINDOW PART NOT LONGER AVAILABLE	1
05	8V6845205	DOOR WINDOW (LEFT REAR)	1
05bis	8V6845206	DOOR WINDOW (RIGHT REAR)	1
06	8V6845201	DOOR WINDOW (LEFT FRONT)	1
06bis	8V6845202	DOOR WINDOW (RIGHT FRONT)	1
07	_8V5845099GNVB	WINDSHIELD	1
08	_8V5809907Z7G	FUEL FILLER DOOR Original part. Contact with your local dealer	1
09	8V6899026	ROOF COVER OLD REFERENCE 8V6817425	1
N/D	8V6845101	PC WINDSCREEN UNHEATED Use Original "PC WINDSCREEN FIXATION KIT" to ensure an optimal bonding of the glass	1
N/D2	8V6845101A	PC WINDSCREEN HEATED Use Original "PC WINDSCREEN FIXATION KIT" to ensure an optimal bonding of the glass. Loom is not included in PC WINDSCREEN HEATED	1
N/D3	V03862704QM	PC WINDSCREEN FIXATION KIT	1
N/D4	8V6971025	LOOM PC HEATED WINDSCREEN	1

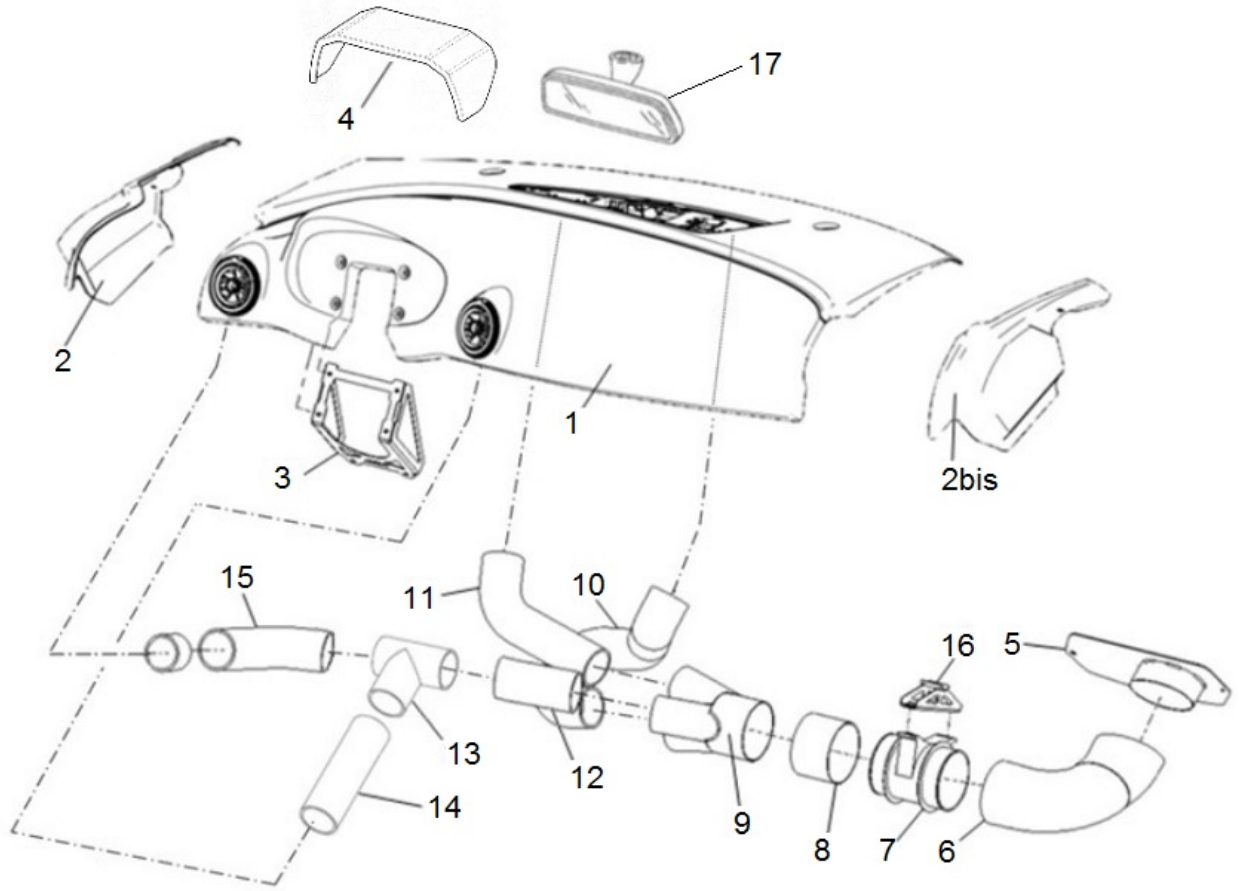
BODY FINISHING 2



BODY FINISHING 2

Pos.	Reference	Description	Qty.
01	8V6821103A	Front left fender MY2020	1
01Bis	8V6821104A	Front right fender MY2020	1
02	8V6821105	FENDER, FR	1
02bis	8V6821106	FENDER, FR	1
03	8V6853859	SIDE SILL	1
03bis	8V6853860	SIDE SILL	1
04	8V6807417	REAR DOOR FENDER	1
04bis	8V6807418	REAR DOOR FENDER	1
05	8V6853817A	REAR FENDER	1
05bis	8V6853818A	REAR FENDER	1
06	8V6821171D	WHEEL HOUSING LEFT OLD REFERENCE 8V6821171C	1
06bis	8V6821172B	WHEEL HOUSING RIGHT OLD REFERENCE 8V6821172A	1
07	8S6821167A	SUPPORT -FRONT LOCKARIT-	1
07bis	8S6821168A	SUPPORT -FRONT LOCKARIT-	1
08	8V6807819	COVER REAR LEFT	1
08bis	8V6807820	COVER REAR RIGHT	1
09	8V6821989	FRONT FENDER INFERIOR FIXATION	1
09bis	8V6821990	FRONT FENDER INFERIOR FIXATION	1
10	8V6821487	WHEEL HOUSING BRACKET	2
11	8V6853949	SILL SUPPORT	1
11bis	8V6853950	SILL SUPPORT	1
N/D	8V6807419	LOWER BRACKET REAR FENDER	1
N/Dbis	8V6807420	LOWER BRACKET REAR FENDER	1

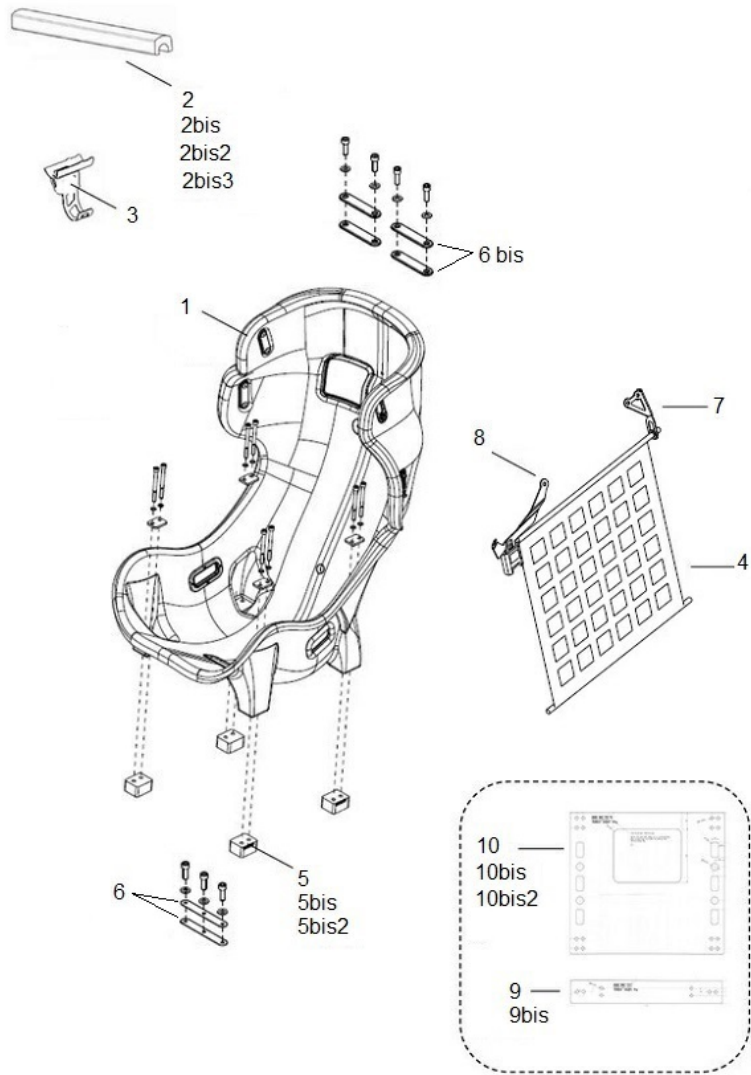
COCKPIT



COCKPIT

Pos.	Reference	Description	Qty.
01	8V6857001	DASHBOARD	1
02	8V6857085	DASHBOARD COVER	1
02bis	8V6857086	DASHBOARD COVER	1
03	8V6857745	COCKPIT CENTRAL SUPPORT	1
04	5F6919499	AIM DISPLAY COVER	1
05	5F6815481A	AIR INTAKE MANIFOLD OLD REFERENCE 5F6815481	1
06	V3FL819037	VENTILATION DRIVER L=350 Å~102	1
07	5F6971569	DRIVER FAN ASSEMBLY	1
08	V3FL819038	VENTILATION DRIVER L=100 Å~102	1
09	V3FL815580	AIR DISTRIBUTOR PIPE	1
10	8V6819043	VENTILATION DRIVER L=620 Å~60	1
11	8V6819052	VENTILATION DRIVER L=350 Å~60	1
12	8V6819051	VENTILATION DRIVER L=100 Å~60	1
13	8V6819805	AIR DRIVER T DISTRIBUTOR	1
14	8V6819053	VENTILATION DRIVER L=300 Å~60	1
15	8V6819056	VENTILATION DRIVER L=830 Å~60	1
16	5F6819250A	SUPPORT	1
17	_8S08575114PK	INNER REAR VIEW	1

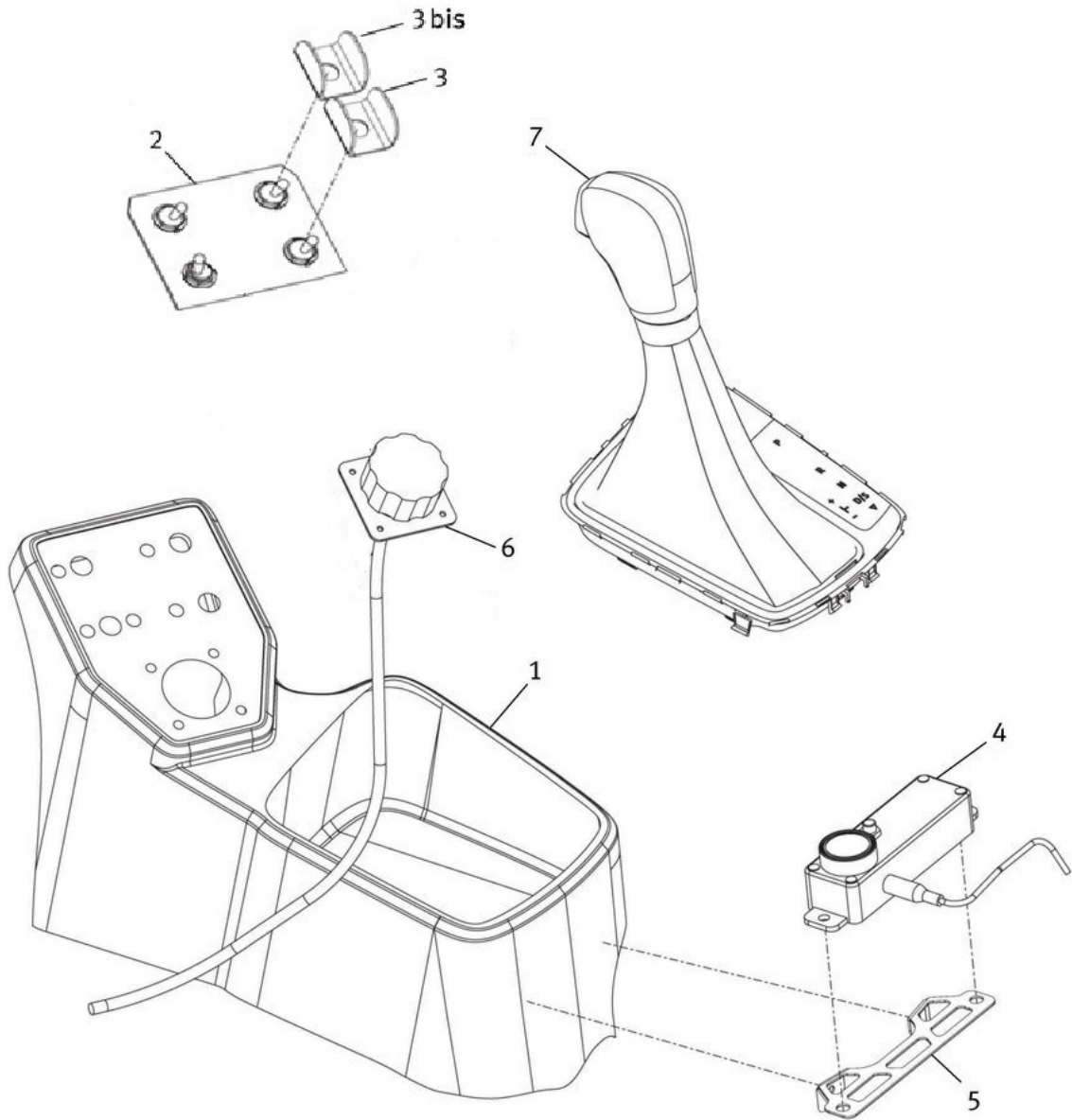
BUCKET & SAFETY BELTS



BUCKET & SAFETY BELTS

Pos.	Reference	Description	Qty.
01	4SA881023B	BUCKET	1
02	V2MN011227	ROLL BAR PROTECTION Ã~32 L=600mm	1
02bis	V2MT011227	ROLL BAR PROTECTION Ã~40 L=600mm	1
02bis2	8S6867963A	ROLL BAR PROTECTION Ã~40 L=450mm	1
02bis3	5F6867963	ROLL BAR PROTECTION Ã~50 L=300mm	1
03	5F6419571	BRACKET UPPER PART wo/LOGO	1
04	42A861867	SAFETY WINDOW NET	1
05	4SA881494F	SPACER PLATE 60mm	4
05bis	4SA881494E	SPACER PLATE 30mm	4
05bis2	4SA881494D	SPACER PLATE 80mm	4
06	8S6857879	SAFETY BELT MOUNTING PLATE	2
06bis	4SA857879A	MOUNTING PLATE	4
07	8V6861230A	SUPPORT SECURITY WINDOW NET	1
08	8V6861229A	SUPPORT SECURITY WINDOW NET	1
09	8S6861721	BALLAST WEIGHT -1KG-	1
09bis	8S6861721A	BALLAST WEIGHT -3KG-	1
10	8S6861721B	BALLAST WEIGHT -5KG-	1
10bis	8S6861721C	BALLAST WEIGHT -10KG-	1
10bis2	8S6861721D	BALLAST WEIGHT -20KG-	1
N/D	5F6857705A	SAFETY BELT 6P BLACK -FIA 8853-	1

PILOT BOX



PILOT BOX

Pos.	Reference	Description	Qty.
01	V3FL907123	CONTROL CONSOLE HOUSING	1
02	8V6971645	ELECTRONIC SWITCH PANEL OLD REFERENCE V3FL971645	1
03	5F6906274	SWITCH PROTECTOR (RED) OLD REFERENCE V2MT906274	1
03bis	5F6906274A	SWITCH PROTECTOR (YELLOW) OLD REFERENCE V2MT906274A	1
04	V4PL971012	CONTROL BOX FOR EXTINTOR	1
05	V3FL016253	EXTINGUISHER INTERIOR PUSH-BUTTON BRACKE	1
06	V3FL612191	BRAKE REGULATION CABLE	1
07	8S6713203	GEAR SHIFT COVER OLD REFERENCE V3FL713203	1

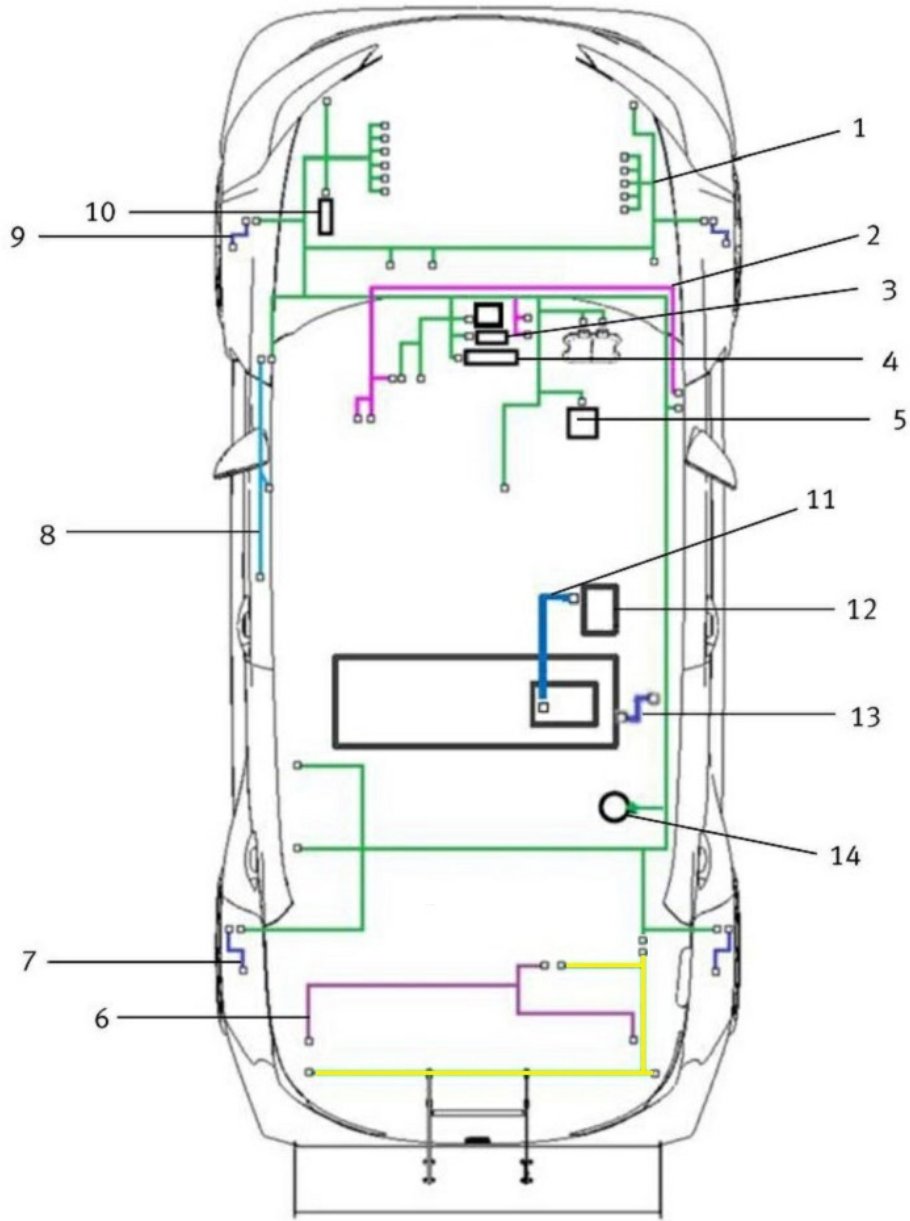
DATA LOGGER



DATA LOGGER

Pos.	Reference	Description	Qty.
01	V3FL907033	DASH LOGGER MXG REFERENCES NÂ° 2 & 6 INCLUDED. SEE DASHBOARD COVER IN THE COCKPIT SECTION	1
02	5F6919889A	GPS-08 -AIM-Â	1
03	V3GL906609	CONNECTION MODULE -AIM-	1
04	V3FL918251	SMARTY CAM GP AIM w/CABLE	1
05	V3FL918655	ROLL-BAR SMARTY CAM SUPPORT	1
06	V3FL971123	PC DOWNLOAD CABLE -AIM-	1
07	5F6906607A	AIM MEMORY MODULE	1
A	5F6900961	SMARTY CAM KIT REFERENCES NÂ° 3, 4 & 5 INCLUDED	1
N/D	8V6971245	GPS WIRING EXTENSION ANTENNA	1

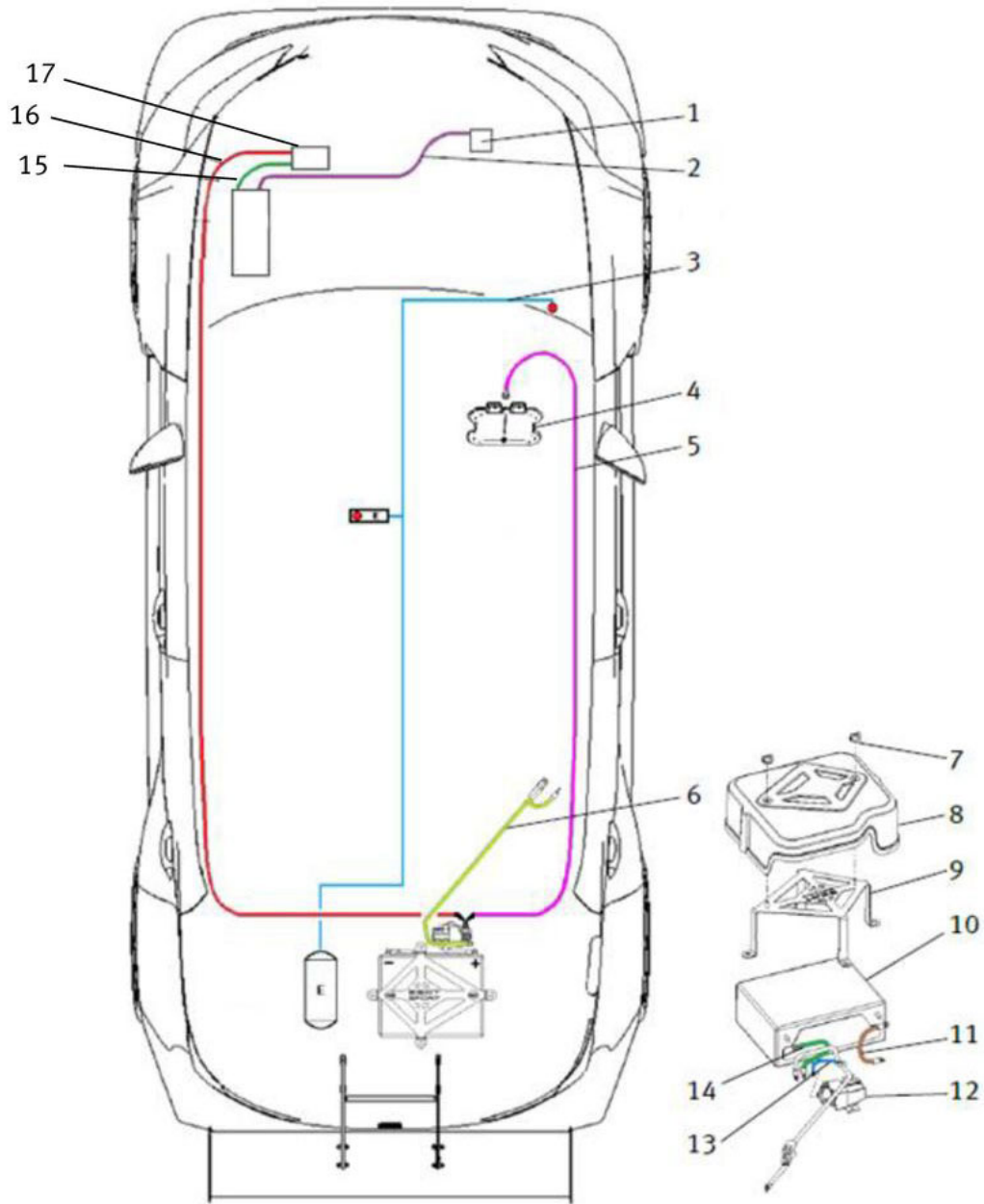
WIRING LOOM 1



WIRING LOOM 1

Pos.	Reference	Description	Qty.
01	8v6970000	CHASSIS KSK WIRING LOOM	1
02	8V6971339	DATA LOGGER WIRING LOOM	1
03	5F6907530	GATEWAY OLD REFERENCE 8S6907530	1
04	8S6900002	BLACK BOX PLEASE, CONTACT CUPRA RACING (PRICE = 1186.29 â, -)	1
05	5F6614517	ABS UNIT WITH CONTROL UNIT	1
06	8V6971147	HARNESS, TRUNK LID	1
07	V3FL971937	REAR HARNESS WHEEL RPM WIR	2
08	8S6971035	DOOR WIRING LOOM	1
09	V3FL971217	FRONT HARNESS WHEEL RPM WIR	2
10	5F6906259L	ECU ENGINE DSG PLEASE CONTACT CUPRA RACING. OLD REFERENCE 5F6906259D.	1
11	5F6971727	HARNESS (FUEL TANK)	1
12	4F1906093C	CONTROL UNIT, FUEL -PWM-	1
13	5F6201142	FUEL TANK GROUND CABLE	1
14	5F6298087	FUEL LEVEL SENSOR KIT	1
N/D	_06K972627AP	WIRING SET FOR ENGINE	1

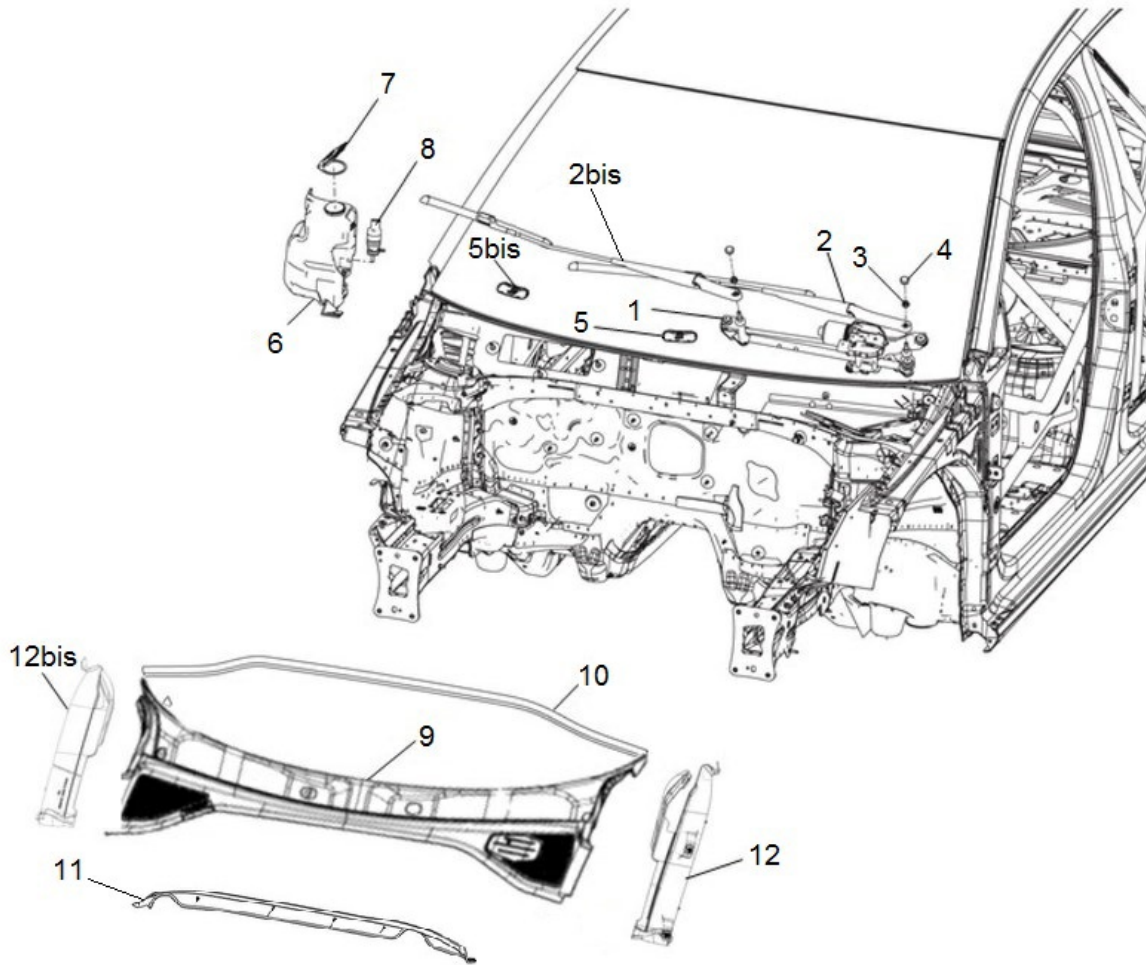
WIRING LOOM 2



WIRING LOOM 2

Pos.	Reference	Description	Qty.
01	_06J903023A	ALTERNATOR 14V 140A	1
02	_5Q0971230ES	WIRING SET FOR THREE-PHASE ALTERNADOR OLD REFERENCE _5Q0971230AE	1
03	8V6971096A	FIRE HARNESS	1
04	8V6907070	FUSE BOX	1
05	5F6971067	POWER WIRING LOOMÂ FOR FUSE-BOX	1
06	V3FL971226	BATTERY WIRING LOOM	1
07	VN0003130325	NUT BI. 8.8 M6 DIN6923	2
08	V3FL801293	BATTERY HOUSING UNIT	1
09	5F6915303	BATTERY SUBJECTION	1
10	V3GT915105	DRY BATTERY 40Ah	1
11	5F6971235	BATTERY GROUND CABLE	1
12	VN0008134300	RELAY BATTERY DISCONNECTION	1
13	V3FL971358	WIRING LOOM (FROM RELE TOWARDS DISCONNECT)	1
14	V3FL971372	BATTERY TO MAIN SWITCH RELAY	1
15	V3FL971104	POWER WIRING LOOMÂ (FROM STARTER TOWARDS EM-BOX)	1
16	V3FL971054	POWER WIRING LOOMÂ (STARTER)Â	1
17	_02E911023S	STARTER	1

WINDSCREEN WASHER



WINDSCREEN WASHER

Pos.	Reference	Description	Qty.
01	_8V1955023C	WIPER MOTOR W. LIN	1
02	_8V1955405E	WIPER LEVER	1
02bis	_8V1955406E	WIPER LEVER	1
03	_N_10609201	HEXAGON FLANGE NUT M8	2
04	_1J0955205A9B9	CAP	2
05	_8V5955987E	WINDSHIELD WIPER EJECTOR LEFT	1
05bis	_8V5955988E	WINDSHIELD WIPER EJECTOR RIGHT	1
06	_1J0955453P	WASH WATER RESERVOIR	1
07	_1K0955455	END CAP	1
08	_1K5955651	WINDOW WATER PUMP	1
09	_8V58194019B9	PLENUM PANEL COVER OLD REFERENCE 8V6819401	1
10	_8V0823723	SEAL, WATER BOX	1
11	_8V0806239B	PLENUM PANEL COVER	1
12	_8V0821169E	COVER	1
12bis	_8V0821170E	COVER	1
N/D	_8V0805233C	ADAPTER PART	1
N/D2	_8V0805234C	ADAPTER PART	1
N/D3	VN0008127200	BATTERY DISCONNECT SWITCH	1
N/D4	8S6959459	SWITCH PROTECTOR BLUE	1
N/D5	5F6971563	EXTINGUISHER SWITCH	1
N/D6	V2MT906250	SWITCH PROTECTOR RED	1

ELECTRONIC COMPONENTS 1



ELECTRONIC COMPONENTS 1

Pos.	Reference	Description	Qty.
01	_06K919081Å	OIL PRESSURE SWITCH 2,15-2,95 bar	1
02	_038919081K	OIL PRESSURE SWITCH 0,3-0,6 bar	1
03	_06L919081	OIL PRESSURE SWITCH 0,55-0,85 bar	1
04	_06H906051J	PRESSURE SENSOR	2
05	_06L127025R	FUEL PUMP	1
06	_06L906031A	LOW INJECTION VALVE	4
07	_06L906036L	HIGH INJECTION VALVE	4
08	_04C907601	IMPULSE SENDER CAMSHAFT	1
09	_06H906433C	IMPULSE SENDER CRANKSHAFT	1
10	_06A919501A	WATER TEMPERATURE SENSOR	1
11	_8Z0820535B	EXTERNAL TEMPERATURE SENSOR	1
12	_06F133062T	THROTTLE BODY	1
13	_03G906051M	PRESSURE SENSOR	1
14	_038906051T	PRESSURE SENSOR	1
15	_06K905376	KNOCK SENSOR	1

ELECTRONIC COMPONENTS 2

1



2



3



4



5



6



7



8



9



10



11



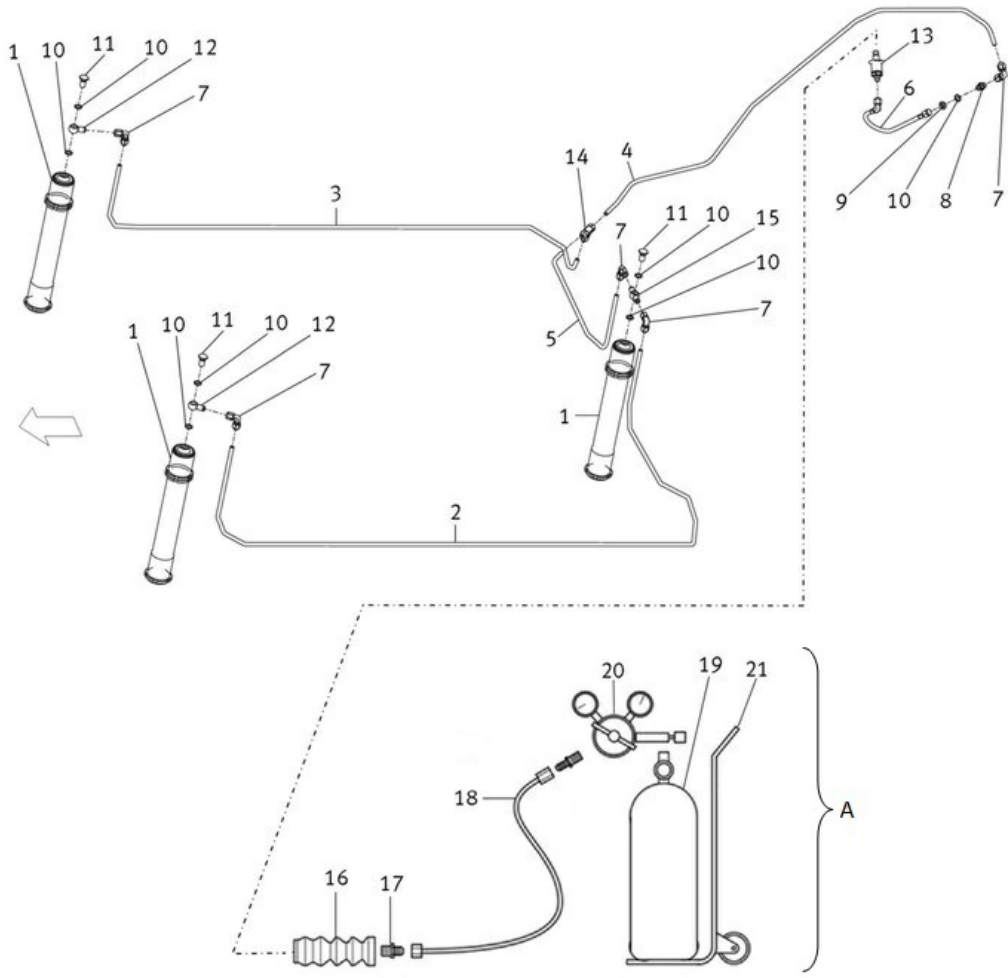
12



ELECTRONIC COMPONENTS 2

Pos.	Reference	Description	Qty.
01	5F6905601	SPARK PLUG -9Åº	4
02	_06J905110N	IGNITION COIL WITH SPARK PLUG CONNECTOR	4
03	_06K115243R	OIL PRESSURE CONTROL VALVE â€“LOWER-	1
04	_06K115243T	OIL PRESSURE CONTROL VALVE â€“UPPER-	1
05	_06E103697L	VALVE ACTUATOR OLD REFERENCE _06E103697M	8
06	_06H145710C	BY PASS VALVE	1
07	_06K906262CS	LAMBDA SENSOR	1
08	_5Q0122096AB	RADIATOR HOSE WITH VALVE OLD REFERENCE _5Q0122096K	1
09	_4H0121671D	SOLENOID VALVE	1
10	_5Q0121599AA	AUXILIARY WATER PUMP	1
11	_06L121111L	REFRIGERATION REGULATOR	1
12	_06K145725T	WASTEGATE ACTUATOR	1

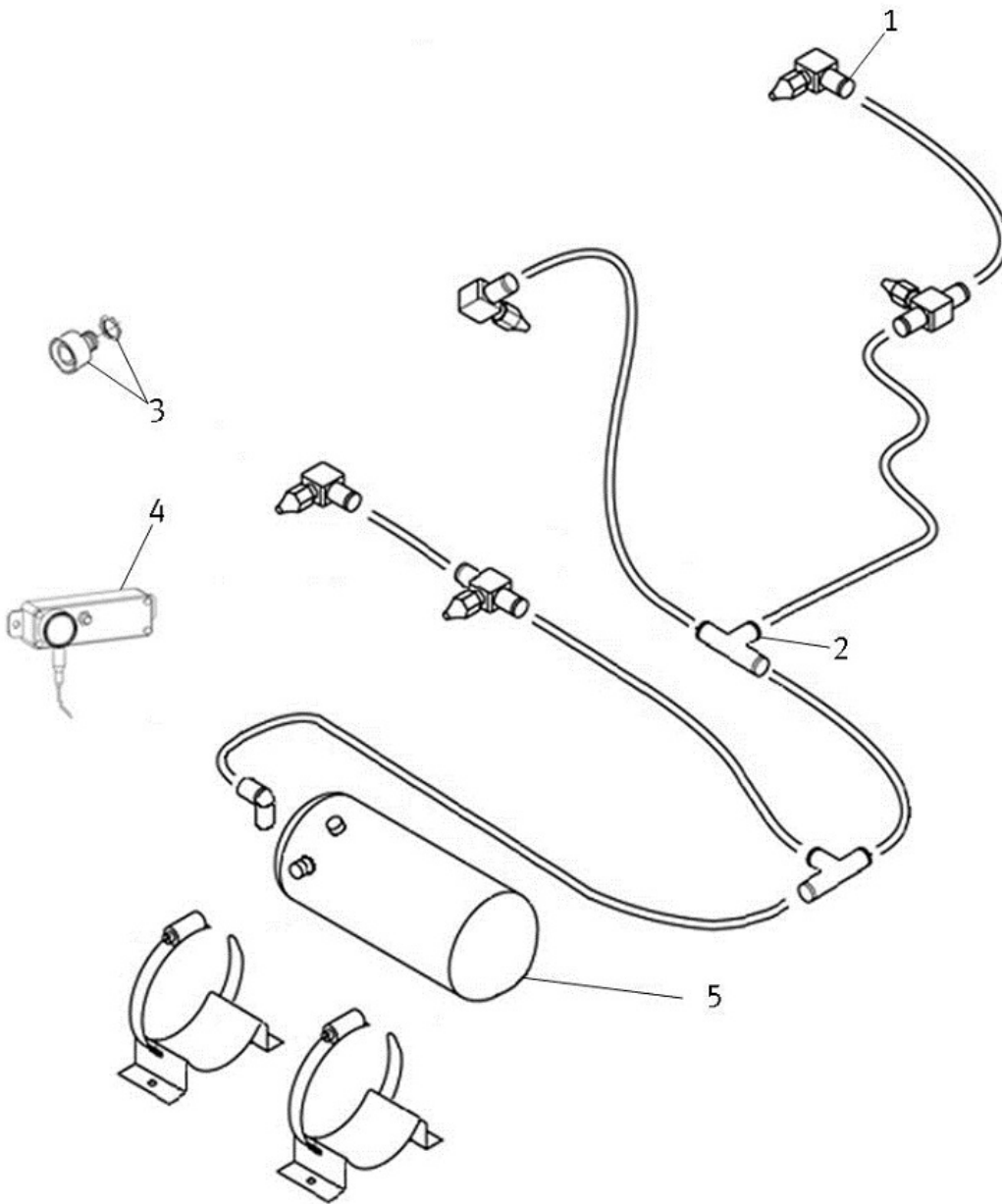
AIRJACK SYSTEM



AIRJACK SYSTEM

Pos.	Reference	Description	Qty.
01	42A011031D	AIRJACK CYLINDER Å~60X230MM	3
02	8V6011227	REAR AIRJACK TUBE TO FRONT LEFT AIRJACK	1
03	8V6011228	AIRJACK TUBE FROM "T" TO FR. RIGHT AIRJACK	1
04	5F6011228C	REAR PIPE AIRJACK FROM "T" TO MAIN INTAKE OLD REFERENCE V3FL011021	1
05	8V6011228A	REAR TUBE FROM "T" TO REAR AIRJACK	1
06	5F6011228A	INLET PIPE AIRJACK	1
07	VN0005104300	ALU. ELBOW 90° FEMALE-TUBE Å~10MM	5
08	VN0005107300	BULKHEAD ADAPTER 06D-06D	1
09	VN0005108300	ALUMINIUM NUT 9/16-18 UNF	1
10	_N_0138495	COOPER WASHER 14X20	9
11	VN0005008400	BANJO BOLT M14X1.5 L=25	3
12	VN0005013800	BANJO Å~14MM (M/) 06D	2
13	V4PL011011	FAST CONNECTOR	1
14	VN0005102200	ADAPTER T3X10MM	1
15	VN0005015400	BANJO Å~14MM DOUBLE (M/M) 06D-06D	1
16	V4PL011015	AIRJACK CONNECTOR	1
17	VN0005174200	MALE-MALE ADAPTER M16x1,5-04D	1
18	V4PL011108	PIPE	1
19	V2ML011102	18 LTS BOTTLE "EMPTY"	1
20	V2ML011120A	REDUCTOR 200B 0-50 BAR	1
21	V2ML011132	TRANSPORTATION CART	1
A	5F6098609	AIRJACK KIT "EMPTY BOTTLE"	1
N/D	8V6011037	AIRJACK SAFETY PROP Å~60X230MM	3
N/D2	8V6011038	CAR-LIFTER AIRJACK Å~60X230MM	3

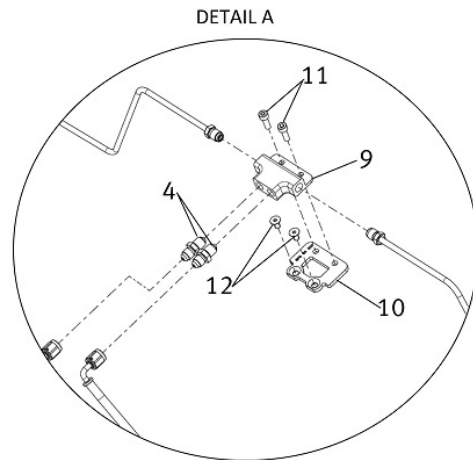
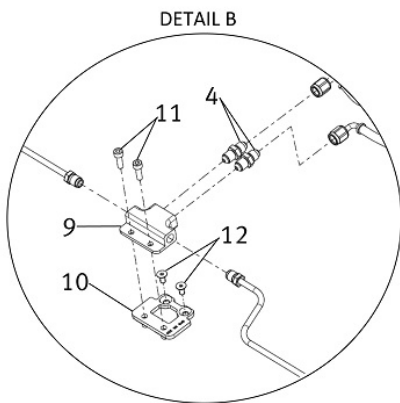
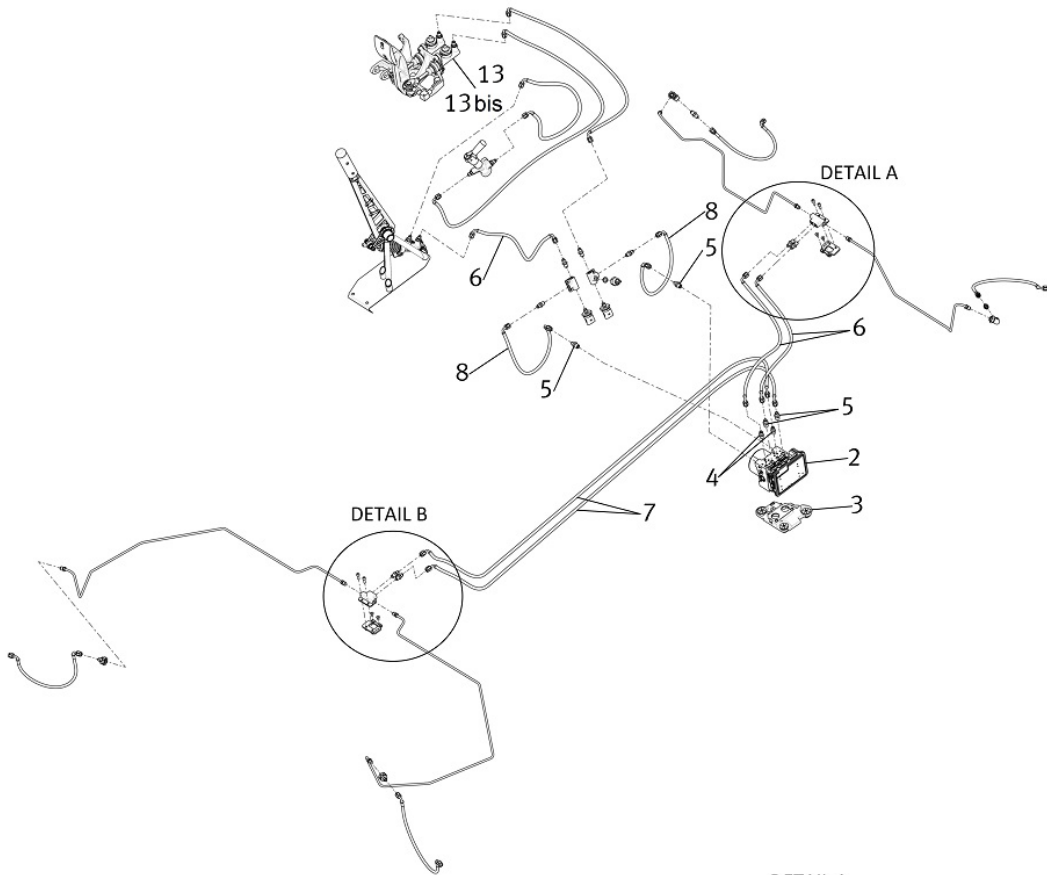
EXTINGUISHER



EXTINGUISHER

Pos.	Reference	Description	Qty.
01	V2ML016241	L VALVE	3
02	V2ML016239	T RACORD 3 VIAS 6X8	2
03	5F6971563	EXTINGUISHER SWITCH	1
04	V4PL971012	CONTROL BOX FOR EXTINTOR	1
05	5F6860277	EXTINGUISHER CONTACT DIRECTLY WITH A OMP DEALER	1
N/D	VN0008100100	9V BATTERY	1
N/D2	5F6860347B	BRACKET	1
N/D3	V2MT906250	SWITCH PROTECTOR RED	1

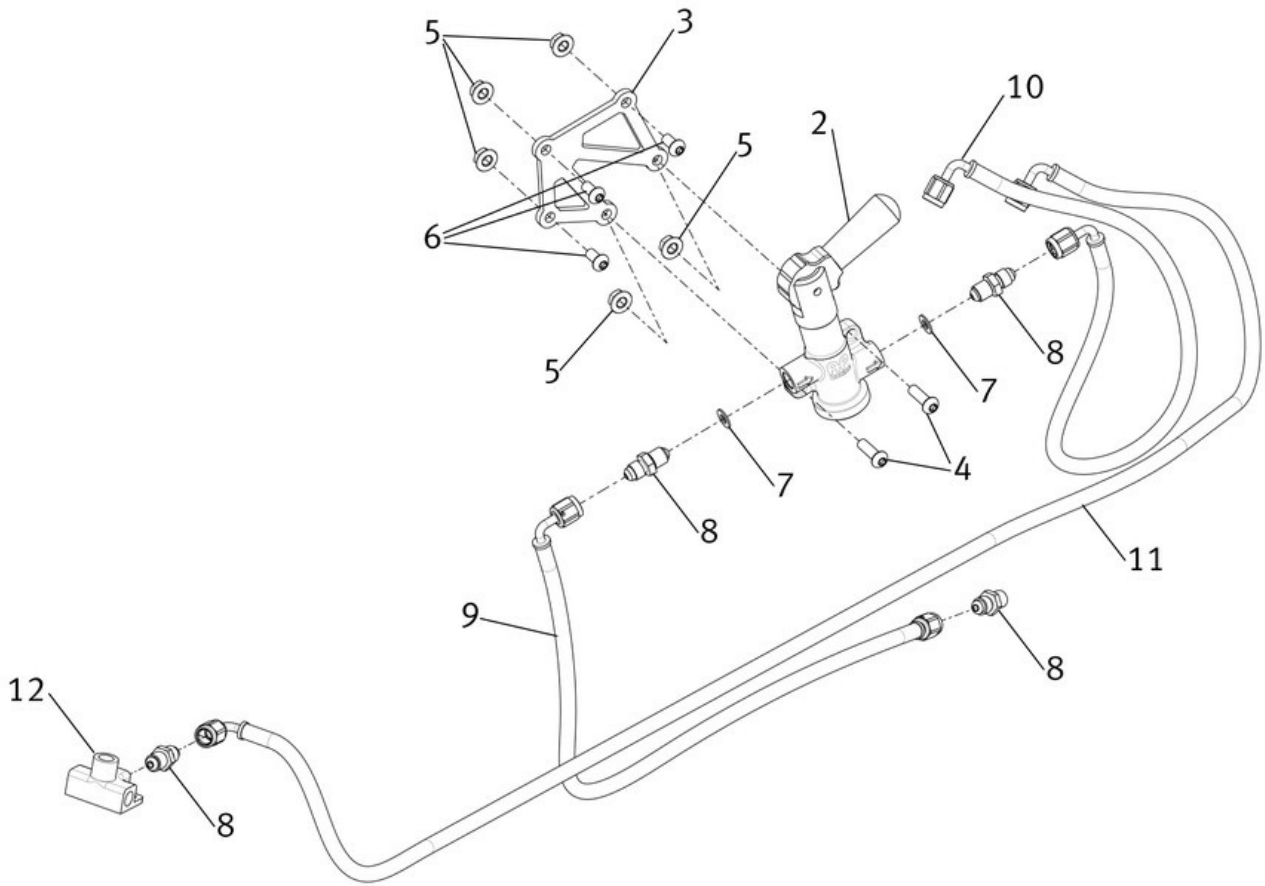
ABS KIT



ABS KIT

Pos.	Reference	Description	Qty.
01	5F6698203C	ABS KIT FOR DSG GBX	1
02	8S6614111	ABS UNIT 8" DSG	1
03	5F6614235	UNIT BRACKET	1
04	_6KL611315	MALE-MALE ADAPTOR M10X1 -03D STEEL	6
05	V2MT311615	ADAPTER M12x1 - 03D	4
06	8S6611745	BRAKE LINE	3
07	8S6611746	BRAKE LINE	2
08	8S6611747	BRAKE LINE	2
09	VN0005110400	DISTRIBUTOR 4-WAY M10x1	2
10	5F6611320	SPACER 5MM	2
11	VN0001148816	ALLEN BOLT M5X16	4
12	VN0001816318	ALLEN BOLT AV. ZN. 10.9 M5x12 DIN7991	4
13	5F6614165F	MASTER CYLINDER AP 17.8 MM (ABS)	1
13bis	5F6614165G	MASTER CYLINDER AP 22.2 MM (ABS)	1
N/D	_N_91186304	FUSE 40A	1
N/D2	_8A0201687	DOUBLE CLIP 2x7,5	5

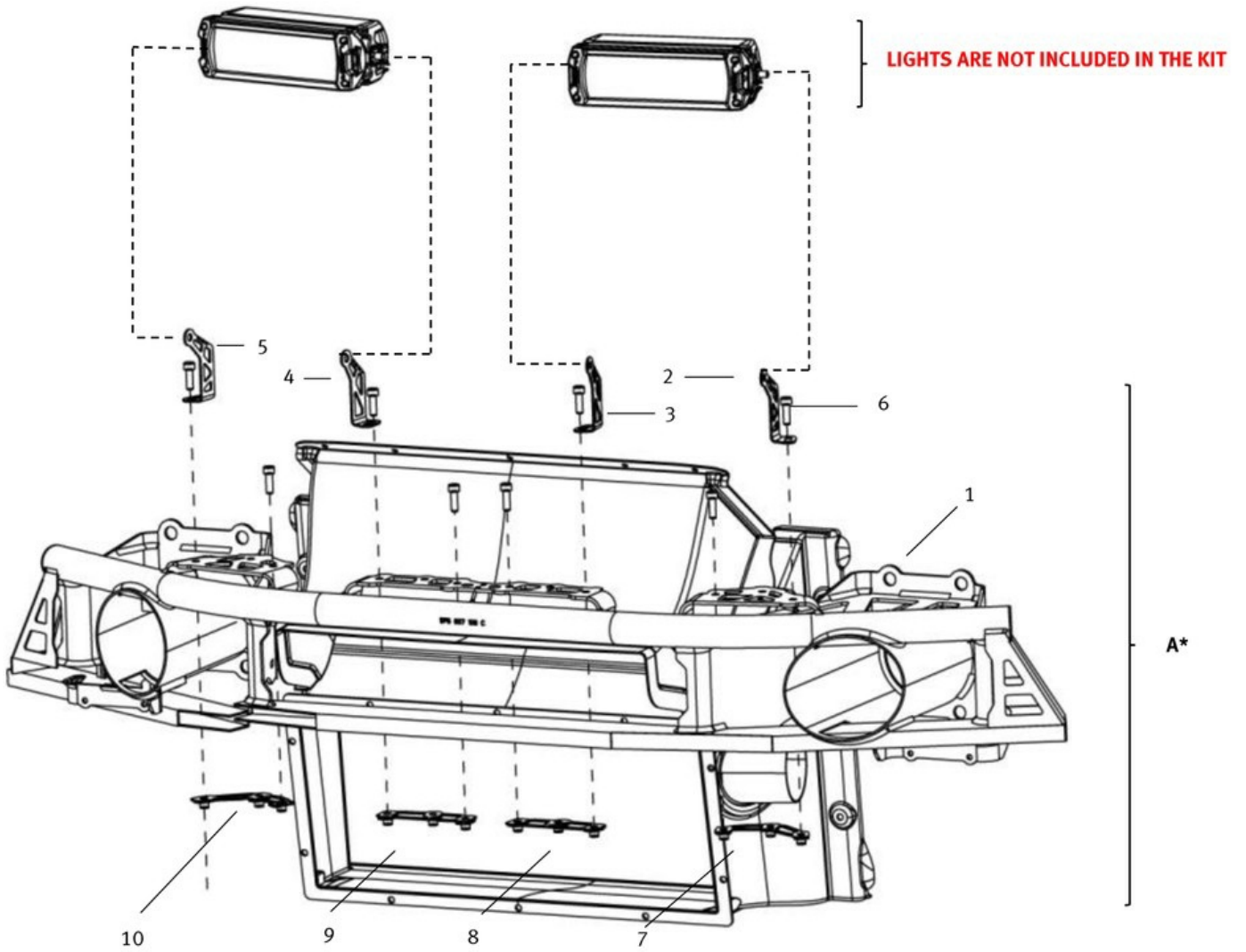
BRAKE PRESSURE KIT



BRAKE PRESSURE KIT

Pos.	Reference	Description	Qty.
01	5F6698204	BRAKE PRESSURE KIT	1
02	5F6612151	7P PROPORTIONING VALVE BRAKE	1
03	5F6614167	PROPORTIONING VALVE BRACKET	1
04	VN0001915588	ALLEN BOLT M6X20	2
05	VN0003130325	NUT BI. 8.8 M6 DIN6923	5
06	VN0001904918	ALLEN BOLT M6X16	3
07	VN0002260100	ALUMINIUM WASHER 10 X 14 X 1,5	2
08	_6KL611315	MALE-MALE ADAPTOR M10X1 -03D STEEL	4
09	5F6711983A	PRESSURE HOSE -BRAKE T TO PUMP-	1
10	5F6711996	PRESSURE HOSE -REGULATOR VALVE TO PUMP-	1
11	5F6711984	PRESSURE HOSE -PUMP TO REAR BRAKE T-	1
12	VN0005110300	X DISTRIBUTOR	1

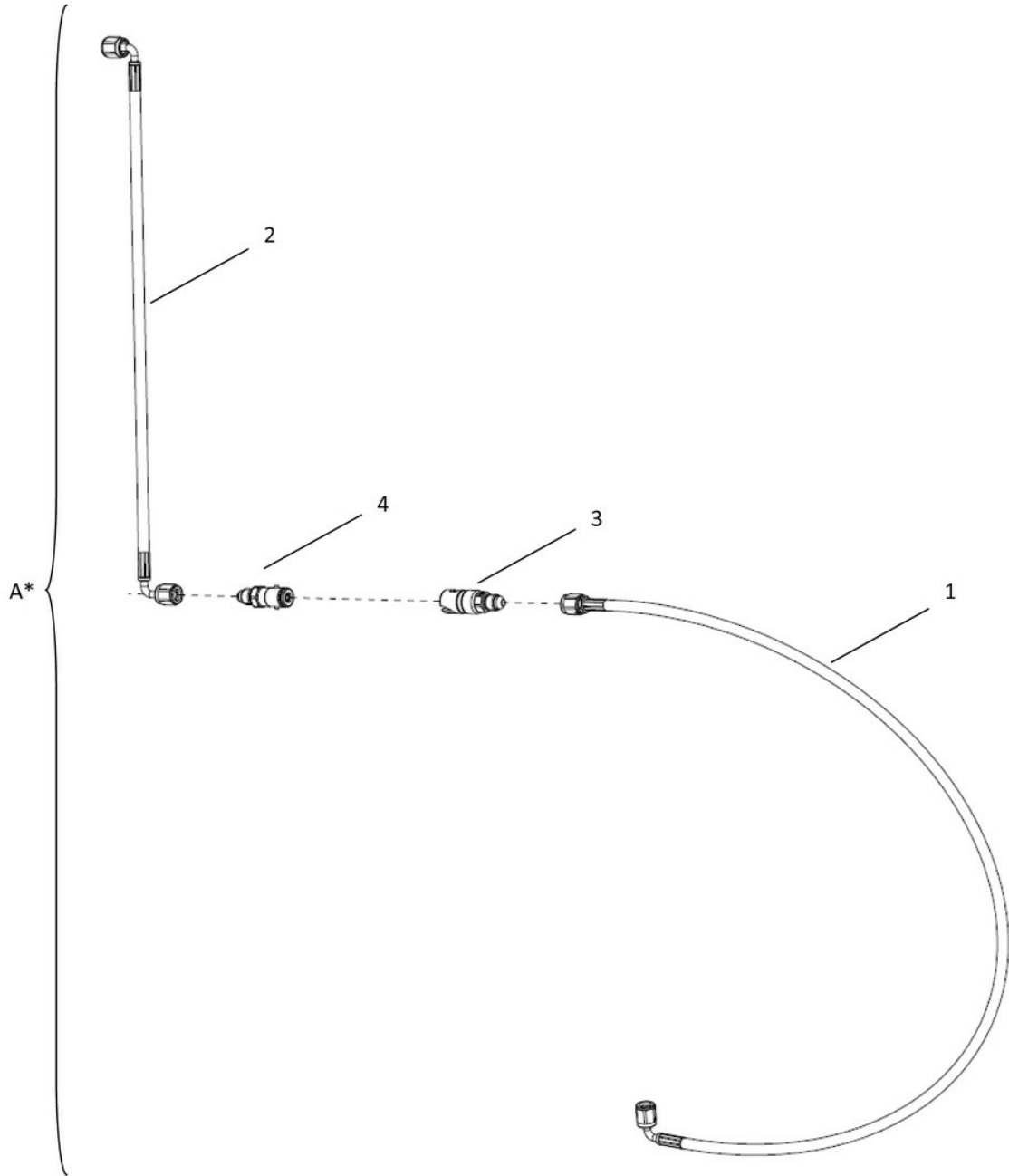
ENDURANCE HEADLIGHT KIT



ENDURANCE HEADLIGHT KIT

Pos.	Reference	Description	Qty.
01	5F6807109C	ENDURANCE BUMPE BAR, FRONT	1
02	8V6853473	ENDURANCE HEADLIGHT SUPPORT 1	1
03	8V6853473A	ENDURANCE HEADLIGHT SUPPORT 2	1
04	8V6853474	ENDURANCE HEADLIGHT SUPPORT 1	1
05	8V6853474A	ENDURANCE HEADLIGHT SUPPORT 2	1
06	_N_90308607	ALLEN BOLT M8X14	8
07	5F6853795	ENDURANCE HEADLIGHT SUPPORT LATERAL FIX.	1
08	5F6853795A	ENDURANCE HEADLIGHT SUPPORT CENTRAL FIX	1
09	5F6853796	ENDURANCE HEADLIGHT SUPPORT LATERAL FIX.	1
10	5F6853796A	ENDURANCE HEADLIGHT SUPPORT CENTRAL FIX	1
		ENDURANCE HEADLIGHT KIT	
A	8V6998055	Headlights adaptation kit designed for the characteristics and dimensions of the Lazer Triple-R 750. Lazer TRIPLE-R-750 reference: 6036-90E2. Available in NIMEX or ISA-Racing (Ger). Also can be found in other motorsport suppliers.	1
N/D	8V6971499A	AUXILIARY HEADLIGHT LOOM	1

**BRAKE HOSE KIT W/ QUICK
RELEASE LR**



BRAKE HOSE KIT W/ QUICK RELEASE LR

Pos.	Reference	Description	Qty.
01	5F6611701	FRONT BRAKE HOSE L	2
02	5F6611702	FRONT BRAKE HOSE L	2
03	V131000143	COUPLING SPHÃ~3 MALE 03D RED EPDM L	2
04	V131000142	COUPLING SPHÃ~3 FEMALE 03D RED EPDM L	2
A	5F6698302	BRAKE HOSE KIT W/ QUICK RELEASE LR	1

□

**UPGRADE KIT Audi RS3 LMS MY17
TO MY18**

UPGRADE KIT Audi RS3 LMS MY17 TO MY18

Pos.Reference	Description	Qty.
A 8V6000180	UPGRADEKIT RS3 LMS MY17 TO MY18 Parts included: Rollcage protections, Fuel valve mounting kit, Radiator Support (incl. Radiator), Towing eye, AR Upright fixation screw, ARB Bush	1

REFUELING KIT

Pos.	Reference	Description	Qty.
01	5F6201546	FUEL FILLER CAP WITH BASE	1
02	5F6201557	SEALING RING	2
03	8V6845300	SMALL GLASS REAR RIGHT DOOR	1
04	5F6201541A	CONNECTING HOSE	1
05	5F6201126	PROTECTION TUBE UPPER FINAL SUPPORT	1
06	VN0004014100	TOOTHED STAINLES.CLAMP A4 13mm 70X90 SW7	2
07	V2ML201284	FLEXO TRIM	1
08	8JR201548	FILLER HOSE	1
09	_N_10734801	CLAMP 40-60 X12	2
10	5F6201195A	HOSE SUPPORT -LOWER-	1
11	5F6201118A	PROTECTION COVER	1
12	5F6201309B	PROTECTION COVER SEAL	1
13	8JR201117	FILLER NECK	1
14	8JR201621	FILLER NECK GASKET	1
15	8JR201785	VALVE SUPPORT	1
16	8JR201811	VALVE	1
17	8JR201112	FILLER HEAD	1
18	8JR201741	FILLER HEAD BASE	1
19	5F6201156	FILLER NECK ADAPTER for GUN	1
20	5F6201546A	FUEL FILLER CAP WITH VALVE	1
21	VN0002901300	GROMMET	1
22	5F6201110	PROTECTION BOX BRACKET	4
23	V2MT864793	DZUS PIVOT	2
24	V2MT864791	DZUS CLIP	2
25	_191711487	GROMMET	1
26	5F6201571	PROTECTION BOX	1
27	5F6971751	TANK WIRING LOOM EXTENDER	1
28	5F6201659	TANK CONNECTOR SUPPORT	1

Pos.	Reference	Description	Qty.
A	8V6198007A	EXTERNAL REFUELING KIT REFERENCE NÂ° 20 IS NOT INCLUDED. OLD REFERENCE 8V6198007	1
B	5F6201546B	FUEL FILLER CAP WITH VALVE IT INCLUDES REFERENCES NÂ° 17, 18 & 19	1

AIR CONDITIONING KIT

AIR CONDITIONING KIT

Pos.	Reference	Description	Qty.
A	8V6820043	AIR CONDITIONING KIT A/C unit from BELL not included. Please, contact Audi Sport Customer racing	1

INDICATOR SWITCH KIT

INDICATOR SWITCH KIT

Pos.	Reference	Description	Qty.
A	8V6971125	INDICATOR SWITCH KIT Please, contact Audi Sport Customer racing	1

SCRUTINEERING KIT

SCRUTINEERING KIT

Pos.	Reference	Description	Qty.
01	5FR919379	T-INT SENSOR	1
02	5F6145838	HOSE FOR T-INT SENSOR	1
03	5F6915423	MAIN FUSE KIT	1
04	5F6129101B	EVO5 BRACKETS KIT	1

KIT 3 - KIT REVERSE DSG TO SEQ

KIT 3 - KIT REVERSE DSG TO SEQ

Pos.	Reference	Description	Qty.
01	5F6398107C	TRANSFORMATION KIT DSG TO SEQ	1

KIT 3 - KIT REVERSE SEQ TO DSG

KIT 3 - KIT REVERSE SEQ TO DSG

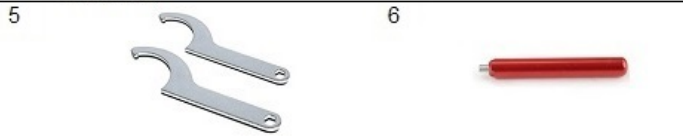
Pos.	Reference	Description	Qty.
A	5F6398107B	KIT REVERSE SEQ TO DSG More information in Download Area	1

TOOLINGS

FUEL SYSTEM



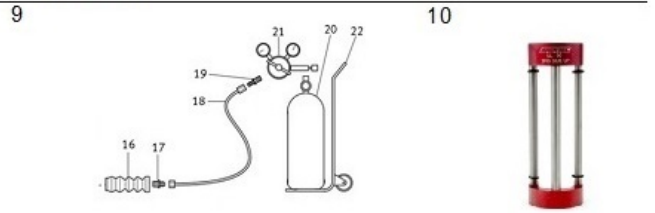
DAMPER



ELECTRIC



AIRJACK



TOOLINGS

Pos.	Reference	Description	Qty.
01	5F6970115	HARN. LEVEL CHECK -EMPTY FUEL TANK- Electectronic tool to activate the fuel tank pump for the fuel tank drain. Automatic start-stop system	1
02	5F6201948	MALE SPT~8 06D HOSE FIA QUICK RELEASE Male coupling socket matching with the existing female plug on the engine bay to drain tank.	1
03	VN0005130310	MALE SPT~12 FUEL TANK HOSE Inner refill socket tool matching with the female plug on the fuel tank (inner refilling)	1
04	U131200001	ADAPTER MALE SPT-12 TO HOUSE ~25 Part n° 4 (hose adapter) is matching with part n°3 with same thread.	1
05	5F6498969	HOOK WRENCH DAMPERS	1
06	5F6498970	ADJUSTER PIN FRONT DAMPER	1
07	V3FL971123	PC DOWNLOAD CABLE -AIM-	1
08	VN0008142700	AUXILIAR BATTERY MATING CONNECTOR	1
09	5F6098609	AIRJACK KIT "EMPTY BOTTLE" See part references detailed in section "AIRJACK SYSTEM"	1
10	8V6011037	AIRJACK SAFETY PROP ~60X230MM	3
11	8V6011038	CAR-LIFTER AIRJACK ~60X230MM Airjack cylinder not included	3

WHEEL SET UP TOOLING

WHEEL SET UP TOOLING

SetupWizzard by CP autosport

- New wheel alignment system tool available to all TCR customers
- Price from 5.880 € (depending on the version)
- This product have to be ordered directly to the supplier CP Autosport : sales@cp-autosport.com
- Announced in catalogue but sold through CP Autosport

The innovative wheel alignment system Setup Wizzard from CP autosport ensures perfect suspension measurement of toe, camber and corner weights at the race track. An optional ride-height measurement system is also available.

The system's big advantages:

- Save valuable time between practice sessions on a race weekend
- Quick and easy assembly of measurement system
- Suspension components easily accessible
- Increased measurement accuracy compared to conventional systems
- 4 different Modular designs subject to customer demands

	Pro	Basic plus	Basic	Easy
Setup wheel incl. Vehicle specific adapters	✓	✓	✓	✓
Support platform		✓	✓	✓
Measuring platform incl. Weight measurement and data processing	✓			
Netbook incl. Data processing software	✓			
Laser leveler incl. stand	✓	✓		
Charging device incl. Eneloop accumulators	✓			
Ruler for track width measurement via buffer board				✓
Ruler for track width measurement	✓	✓	✓	
Inclinometer for measurement of camber	✓			
Height Gauge	✓	✓	✓	✓
Center measurement				

For further information and **your personal offer** please contact CP autosport directly via mail@cp-autosport.com

Find the **tutorials** here: [SetupWizzard on YouTube](#)

<http://wvgroupmotorsport-onlineplatform.com/>



Setup Wheels incl. vehicle specific wheel adapters and stands



Toe angle measurement via laser



Camber angle measurement via inclinometer



Ruler for track width measurement



Height gauge



Laser leveler incl. stand



Netbook incl. measuring and data processing software

WHEEL SET UP TOOLING

Pos.	Reference	Description	Qty.
------	-----------	-------------	------

□

TYRE PRESSURE MONITORING SYSTEM

TYRE PRESSURE MONITORING SYSTEM

Pos.	Reference	Description	Qty.
A1	8V6907251	TYRE PRESSURE MONITORING SYSTEM (TPMS) FOR EU/ASIA Please, contact Audi Sport customer racing (ASCr)	1
A2	8V6907251A	TYRE PRESSURE MONITORING SYSTEM (TPMS) FOR USA/JAPAN Please, contact Audi Sport customer racing (ASCr)	1

